



MX

OWNER'S MANUAL

Please read user's Manual thoroughly
before using pedicure spa

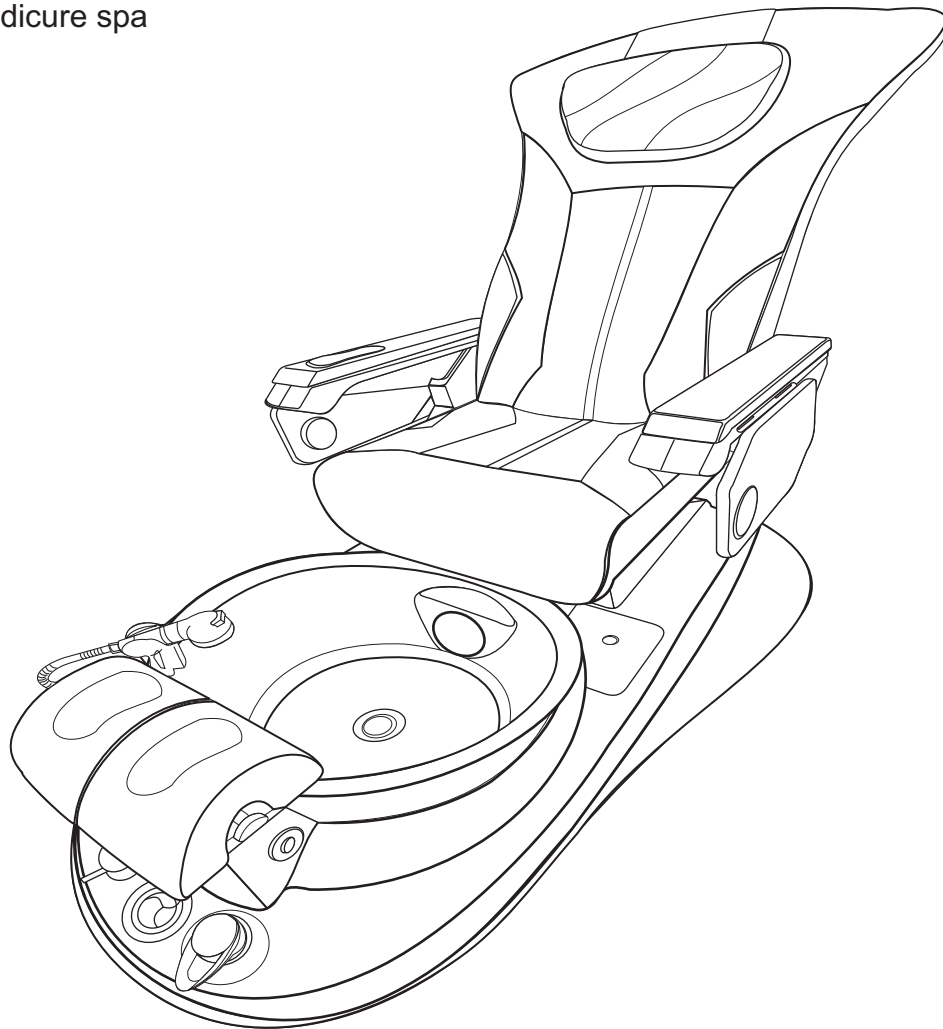


Table of contents

Table of Contents	2
Introduction	3
Recommendation	4
Important Consideration	5
Disinfection instruction	6
Identify parts & Description	7
Specification	8
Installation Summary	9
Dimension	10
Drain Connection	11
Discharge Drain Pump - Option	12
Ventilation - Option	13
Magna-Jet Pipeless Whirlpool Motor	14
Magna- Jet Pipeless Whirlpool motor instruction	15
Infiniti Pipeless Motor & Instruction	16
Precautionary Massage Chair	17
Massage Remote Control (Function)	18
PCB connector cross reference	19
Internal massage Mechanism - Illustration	20
Recline Actuator connect to backrest Bracket	21
Backflow Protection	22
UL certificate of compliance	23
Limited Warranty	24
Limited warranty Registration Form	25
After Service inquiry form	26



Introduction

Thank you for choosing Lenox MX, This finest Whirlpool Pedicure Spa has been develop and Manufactured by J&A USA Inc., to bring quality and exquisitely balanced design yet afford-ability and dependability when properly use. Please read this entire manual thoroughly before installation and use

PLEASE TAKE TIME TO READ THIS MANUAL THOROUGHLY BEFORE USE. If you have any questions or concerning with our pedicure spa, Please contact our customer service and technical support at 631-243-5300 Monday through Friday 9AM - 5PM or email us at www.info@toepia.com

Important requirements

The MFG requires that you contact your local, licensed plumber and licensed electrician to install your new spa. Installation MUST be in compliance with all local and state building codes. Your pedicure spa can not operate efficiently or safely unless it is provided with adequate electrical power, sufficient water pressure, proper water temperature, and required drainage capabilities. Contact your local building inspector for information and local code compliance procedure that need to be followed when having your new pedicure spa installed. Subsequent inspections and approvals that may be required are the responsibility of the purchaser.

Shipment Inspection (DO NOT DISCARD THE SHIPPING CARTON)

Examine the components immediately upon arrival to make sure no damages to the pedicure spa base and chair during the shipment. It is very important that you notify the driver directly and notation should be on the face of the freight bill or bill of lading of any damage. Failure to note damage on the bill of lading may prevent any claims you may have against the carrier.

If concealed or damage is found, you MUST notify the carrier at once and request an inspection. **DO NOT DISCARD THE SHIPPING CARTON** If receiver sign the carrier clean receipt of goods that have been damaged in transit .Do so at your own risk and expense.

Precautionary for using spa

- Do not stand in the basin of the spa.
- Excessive water temperature is dangerous and should be checked before use. Maximum water Temperature should not exceed 102~104F Degree.without health condition (See page 21 User's Recommendation).
- Always enter and exit the spa slowly and carefully.
- Never bring or operate any electrical device near pedicure spa.
- The unit has a weight capacity of 230 pounds.

Health Warning

Individuals whose feet or legs are inflamed or have open wounds should not be allowed to use the pedicure spa at any time. The technician should advise clients to consult their physician before using the spa if there is any sign of fungal infection, swelling, fracture, or persistent pain. In some cases diabetics may experience improved circulation in their feet, but should first consult their physician prior to receiving a pedicure.

If the client experiences any pain or discomfort, discontinue the use of the pedicure spa immediately.

USER'S FOR CUSTOMER RECOMMENDATION

PLEASE READ THE MANUAL THOROUGHLY BEFORE USE TO ENSURE CORRECT OPERATION.

THOSE UNDER A DOCTORS CARE OR WHO ARE EXPERIENCING ONE OR MORE OF THE FOLLOWING CONDITIONS SHOULD CONSULT THEIR DOCTOR BEFORE USE

- ** You are receiving medical treatment or are feeling ill.
- ** Your body shows any acute symptoms.
- ** You have heart disease.
- ** You are pregnant or having a menstrual period.
- ** your doctor has ordered you to rest.
- ** You have a back disorder resulting from an accident or disease.
- ** You are diabetic.
- ** You have service interruption in the circulation of the legs.
- ** You have a high fever.
- ** You have sensory disorders.
- ** You have medical electrical device (e.g. pacemaker..)

FAILURE TO DO SO MAY RESULT IN ACCIDENT AND HEALTH PROBLEMS.



Important Considerations

Electrical Service

110V, 60Hz, 15Amp GFCI protected grounded circuit MUST be used to supply power each individual pedicure spa. And the main circuit breaker MUST be at 25Amp. For maximum of two units per each electrical outlet.

Water Supply

All plumbing connections must conform to local codes.

Water supply to the spa should be provided with adequate water pressure and water temperature.

Water pressure

To fill the basin correctly up to level, Normal water pressure of 30 to 80 P.S.I is required.

Water temperature (Water Supply Source)

The hot water supply temperature must not exceed 120°. Adjust your hot water accordingly. For hot and cold water supply fittings and drain fittings location, see below diagram. Carefully connect the water supply line to the appropriate fittings located on the rear of the pedicure spa.

Pressure / Temperature (Faucet Specs)

Maximum Pressure: 150 psi (10 bars)

Minimum Pressure: 10 psi (69kPa)

Working Temperature: 33F to 140F constant; intermittent to 110 f

Maximum Recommended Flow: 1.5gpm

UL LISTED / CE CERTIFIED

Compliance with following Code (s): Uniform Plumbing Code, National Plumbing Code of Canada and international Plumbing Code. Also, Compliance with following Standard (s): ASME A112.18.3M / A112.18.1M, CSA B125, NSF / ANSI 61

ANSI - American National Institute, ASME - American Society of Mechanical Engineers, CSA - Canadian Standard Association IAPMO - International Association of Plumbing and Mechanical Officials, UL - Underwriters

All J&A USA products has been compliance with requirements for Whirlpool bath appliances contained in ASME / ANSI A112.18.3M / A112.181M, CSA B125, NSF / ANSI 61 and with dual backflow protection Compliances with following standard (s):AMSE A112.18.3-2002 (R2008) AND ASME A112.18.1-2012 / CSA B 125.1-12

** Vaccum Breaker

Due to Town and / or State requirement/s are varies in building code, if the Town and / or State requires Vaccum Breaker, As the Plumber MUST provide Vaccum Breaker according to building code requirement.

Drain Facilities

The pedicure spa Drain must meet local plumbing codes. **Check valve for Drain (not Provided) Must be installed by a licensed plumber.** Also Pedicure spa must be securely fasten to the floor.

Installation Summary

The installation must comply with local, state, and federal building, plumbing and electrical codes, where applicable. A licensed plumber should complete the plumbing of the pedicure spa.

Note: Failure to comply with federal, state, or local codes and ordinances will result in warranty being nullified and void.

DISINFECTING YOUR PEDICURE SPA

Note: Please be advised that it is responsibility of purchaser / user to adhere strictly to the following procedure. Any non-compliance will be considered negligence of the purchaser / user.

The Bureau of barbering and cosmetology requires that salon using whirlpool pedicure spa use the following disinfecting procedures to ensure proper cleaning and maintenance of the equipment, and to prevent bacterial infection.

After each customer:

1. Drain all water and remove all debris / particle from the pedicure spa.
2. Clean the surfaces and walls of the basin with soap or detergent and rinse with clean, fresh water.
3. Disinfect with EPA - Registered disinfectant with bactericidal, fungicidal, and virucidal activity.
4. Wipe dry with clean towel.

At the End of the day:

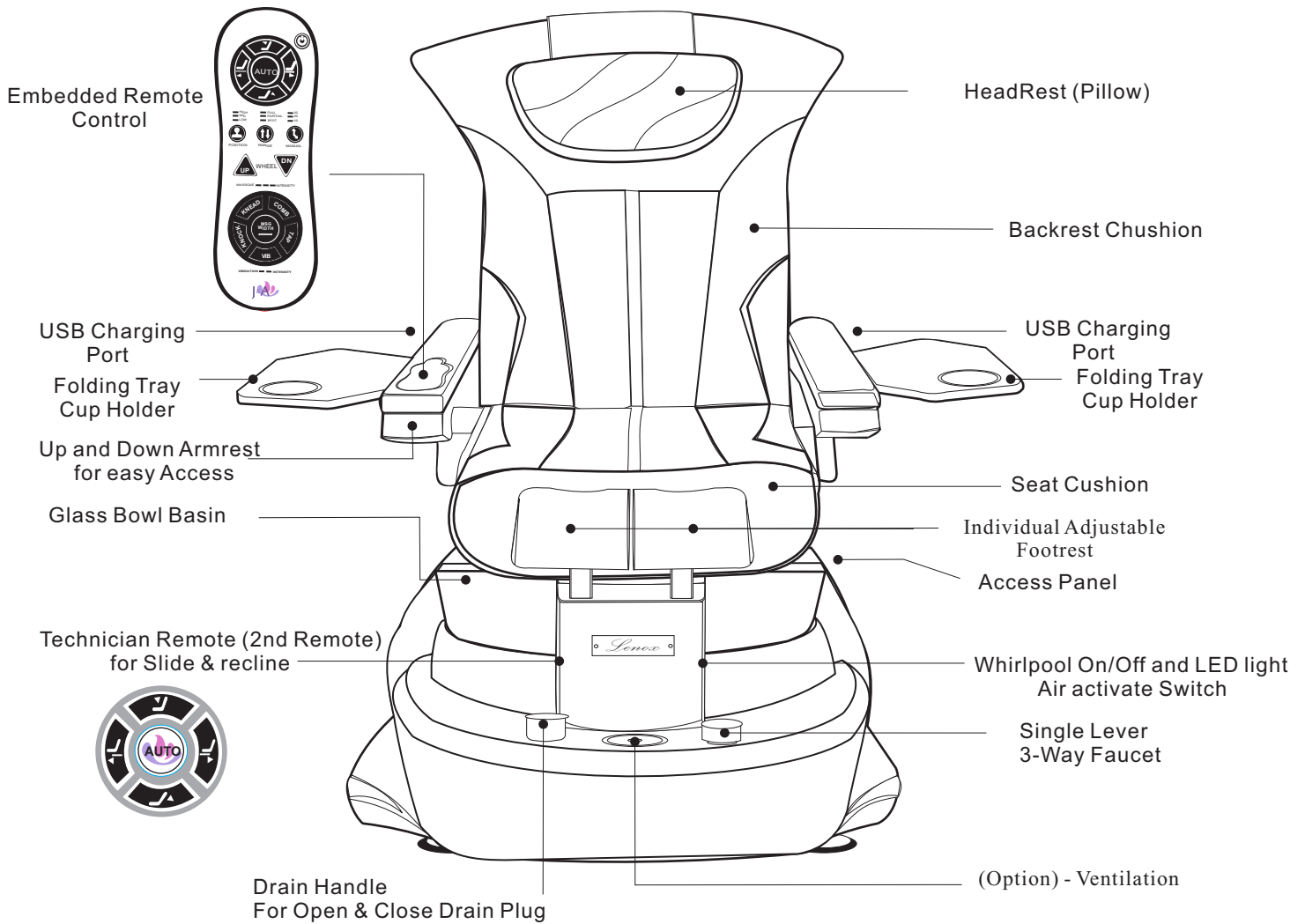
1. Remove the intake suction screen, All debris trapped behind the screen of each pedicure spa MUST be removed. and the screen and inlet shall be washed with soap or detergent and fresh water.
2. Before replacing the screen, Totally immersed the screen into EPA-registered disinfectant with bactericidal, Fungicidal, and virucidal activity.
3. Finally, Flush the whirlpool system with low sudding agent and warm water or an EPA - registered cleanser for 10 minutes. Rinse with clean flash water and drain.

Every other week

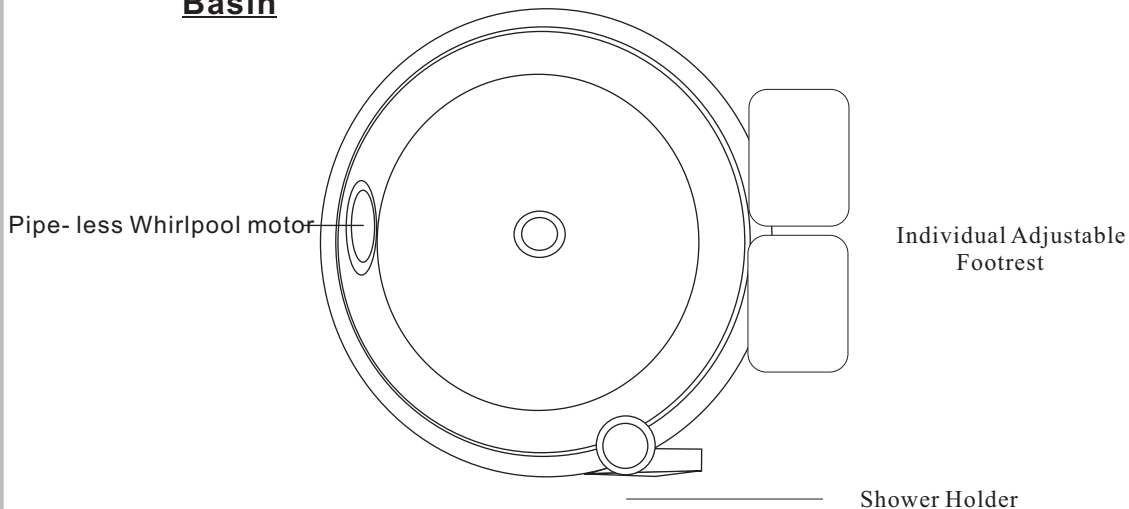
1. After following the outlined required cleaning procedures for the end of each day, Fill basin with warm water and 1 tea spoon of 5.25% powdered bleach for each one gallon of water.
2. Circulate the solution through the whirlpool system for 5 to 10 minutes.
3. The solution rests for over night at least of 6~10 hours.
4. The following morning before the customer, Drain and flush the system with flash water.

LENOX MX

IDENTIFICATION

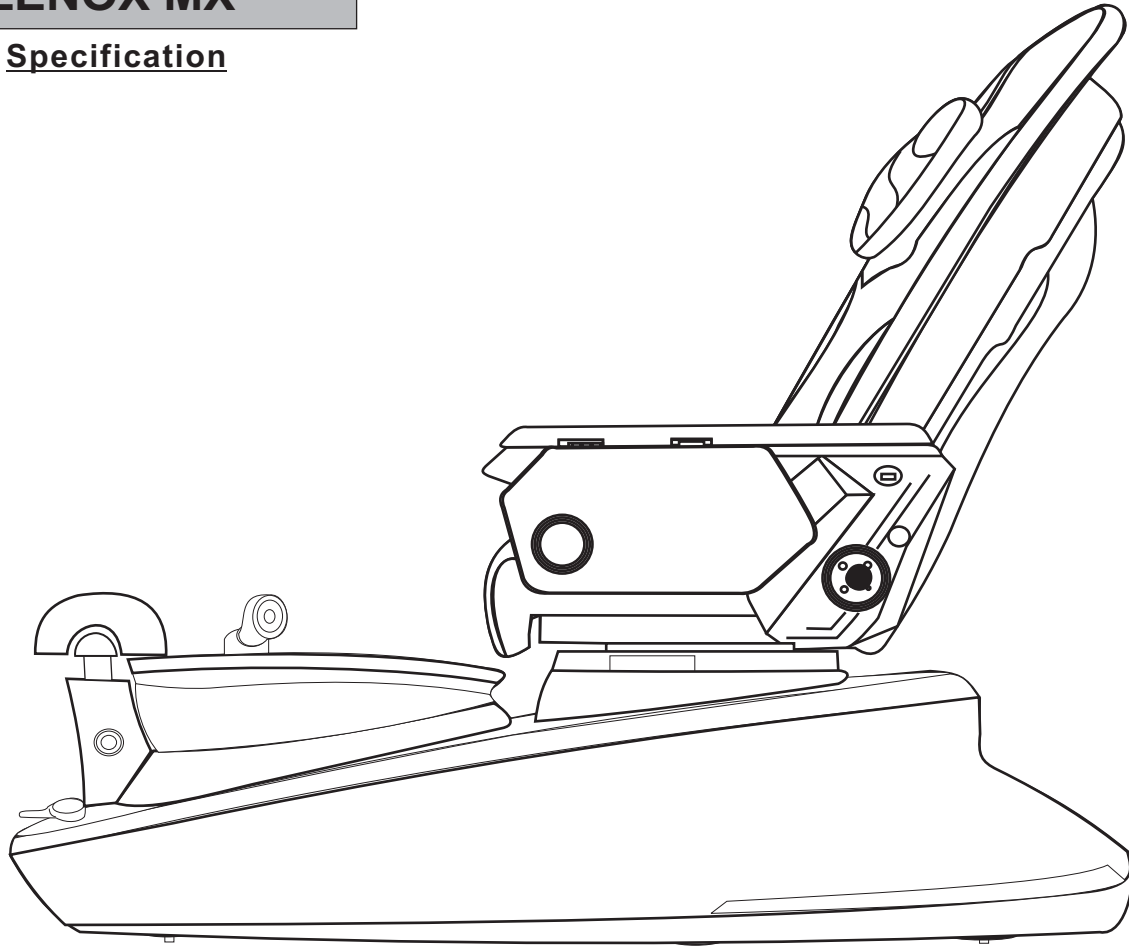


Basin



LENOX MX

Specification



CAUTION: Pedicure spa must be installed by a licensed electrician and a licensed plumber, conforming to all local and national electrical codes.

Dimension & Weight	Lenox - MX Pedicure Spa Technician Stool	75"L x 41"W x 43"H 21"L x 20"W x 8.5"H	300 Lbs 19 Lbs
Capacity of Tub	Diamond pattern Glass Bowl	5 U.S Gallons.	
Switch		On/Off Air Activated Switch	
Power Source	Dedicated 15 Amp. GFCI protected Ground outlet Magna-Jet Pipelss Massage System	115 Vac. 60Hz. 15 Amp. 120 Vac. 60Hz. 120 Vac. 60Hz	
Plumbing	Hot Water Cold Water Drain Discharge Pump (Optional)	0.5 inches 0.5 inches 1.5 inches (See detailed instruction) 120Vac 60Hz.	
Warranty	Epi - Lenox Pedicure Spa	One year Parts and labor Second year Part only	

All J&A products are equipped with Backflow Protection Device (See detail in Page 26)

LENOX MX

Summary

Installation Specifications Summary

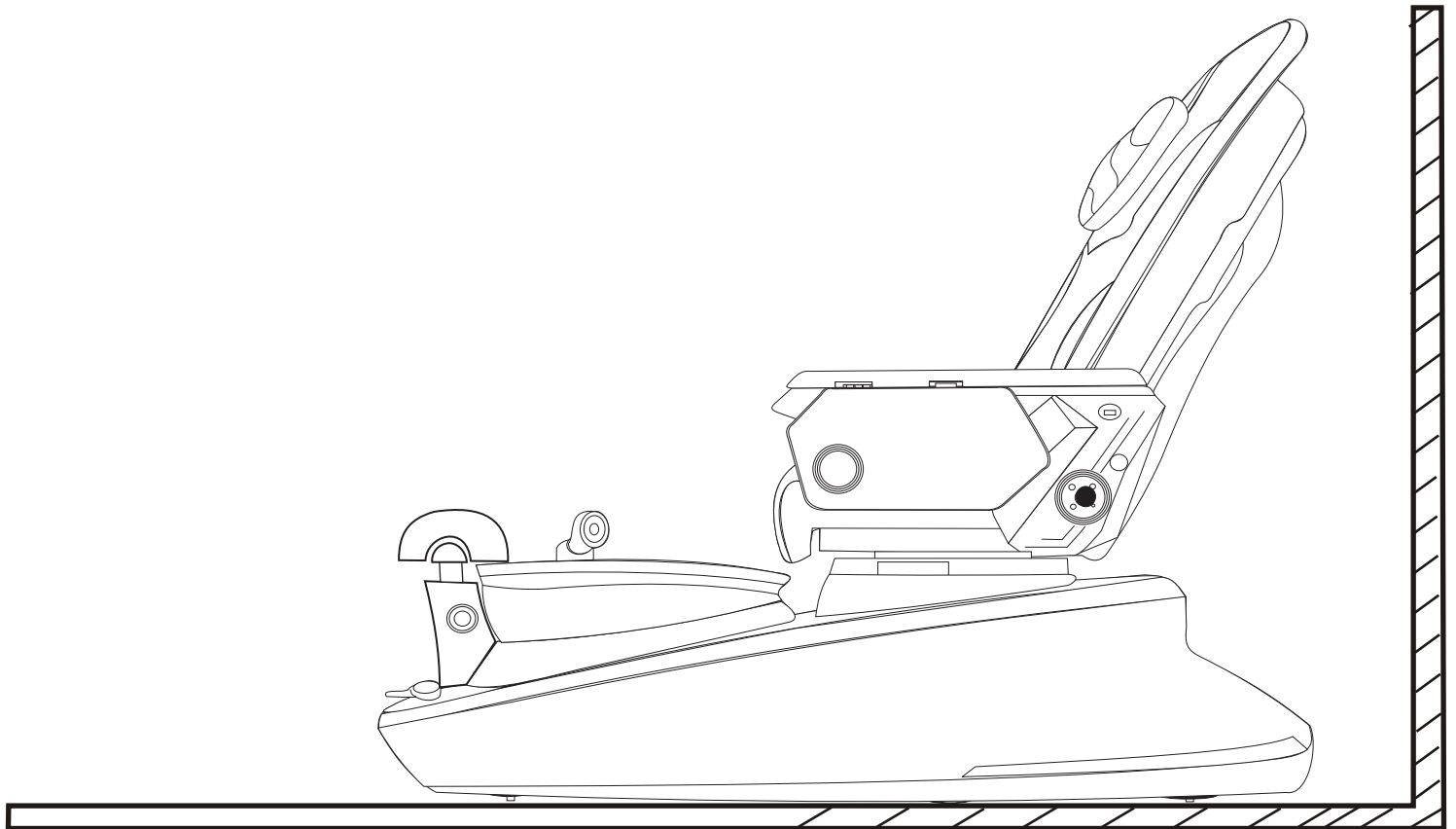
Warning: Failure to comply with Federal, State or Local Codes and ordinances will result in Warranty being Null and void.

As Stated, The Pedicure Spa installation MUST comply with all Plumbing and Electrical Codes. A licensed Plumber and Licensed Electrician MUST complete the applicable connections of the Pedicure Spa.

Location and Support

Select a leveled location. The Floor structure beneath the Pedicure Spa MUST be capable of supporting the occupied Pedicure Spa.

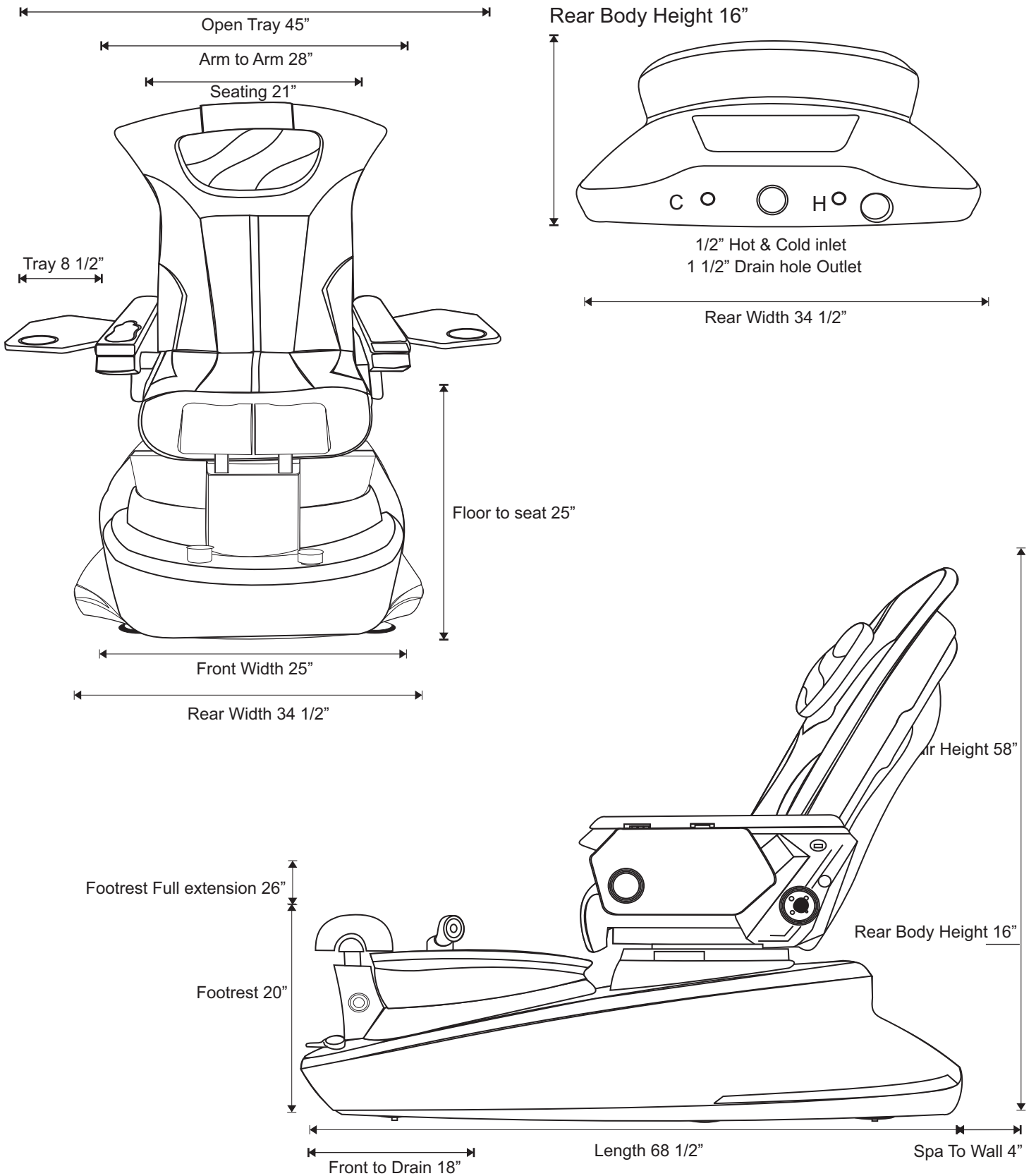
For the Chair, The Slide & Recline at fullest to rear required 4 inches from the wall and the Pedicure Spa base must be mounted as follow from the wall as shown below illustration.



4" Space required

LENOX MX

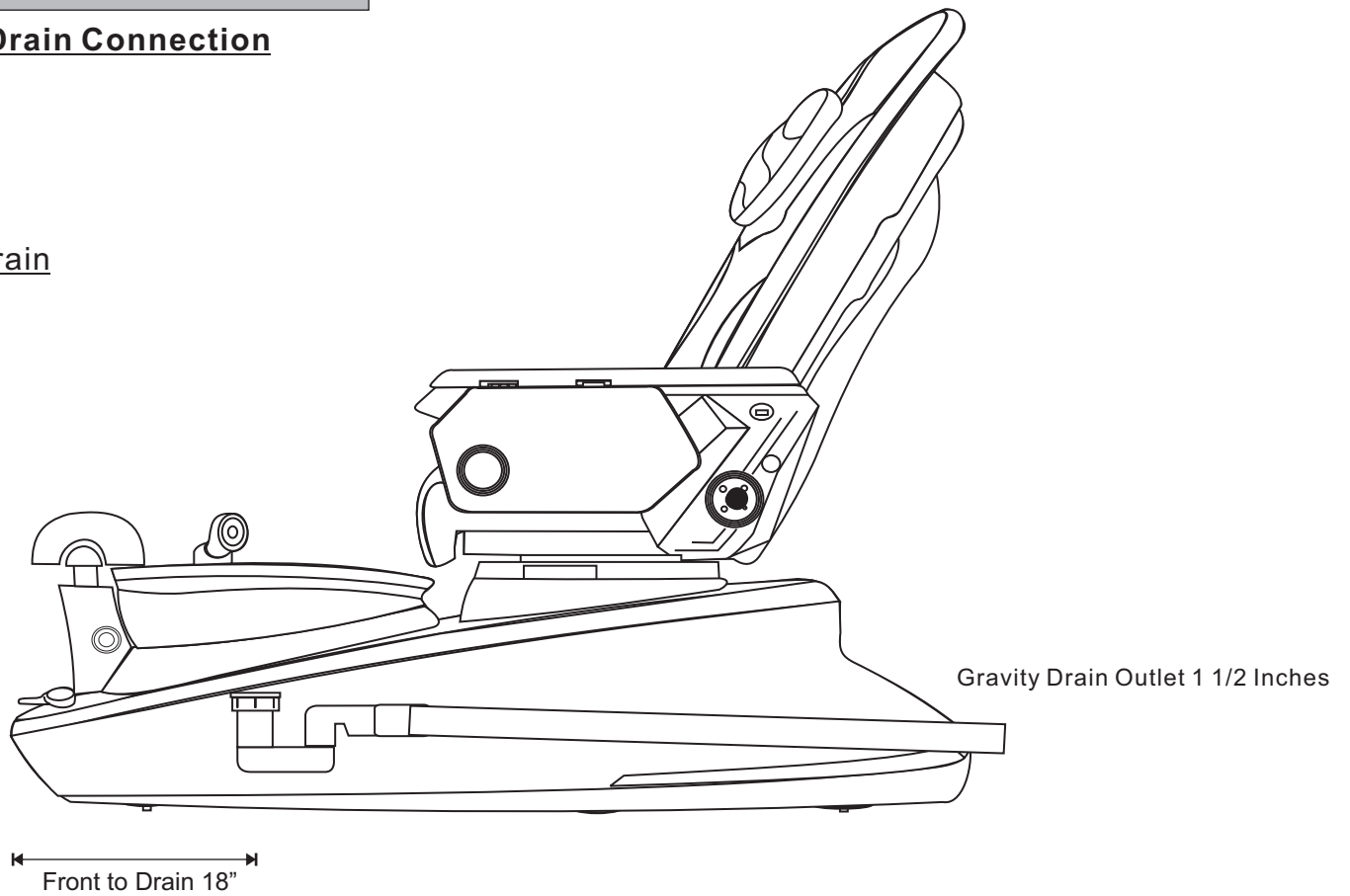
Dimension



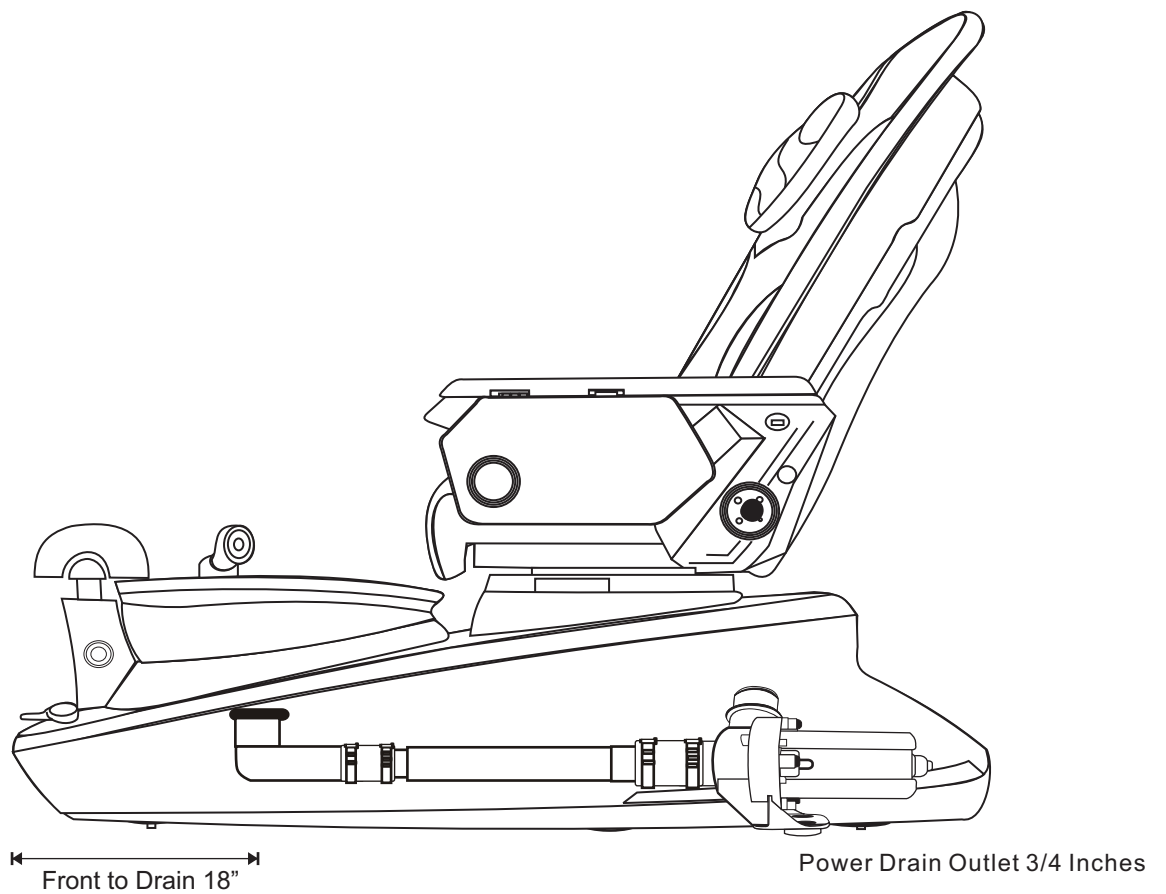
LENOX MX

Drain Connection

Wall Drain

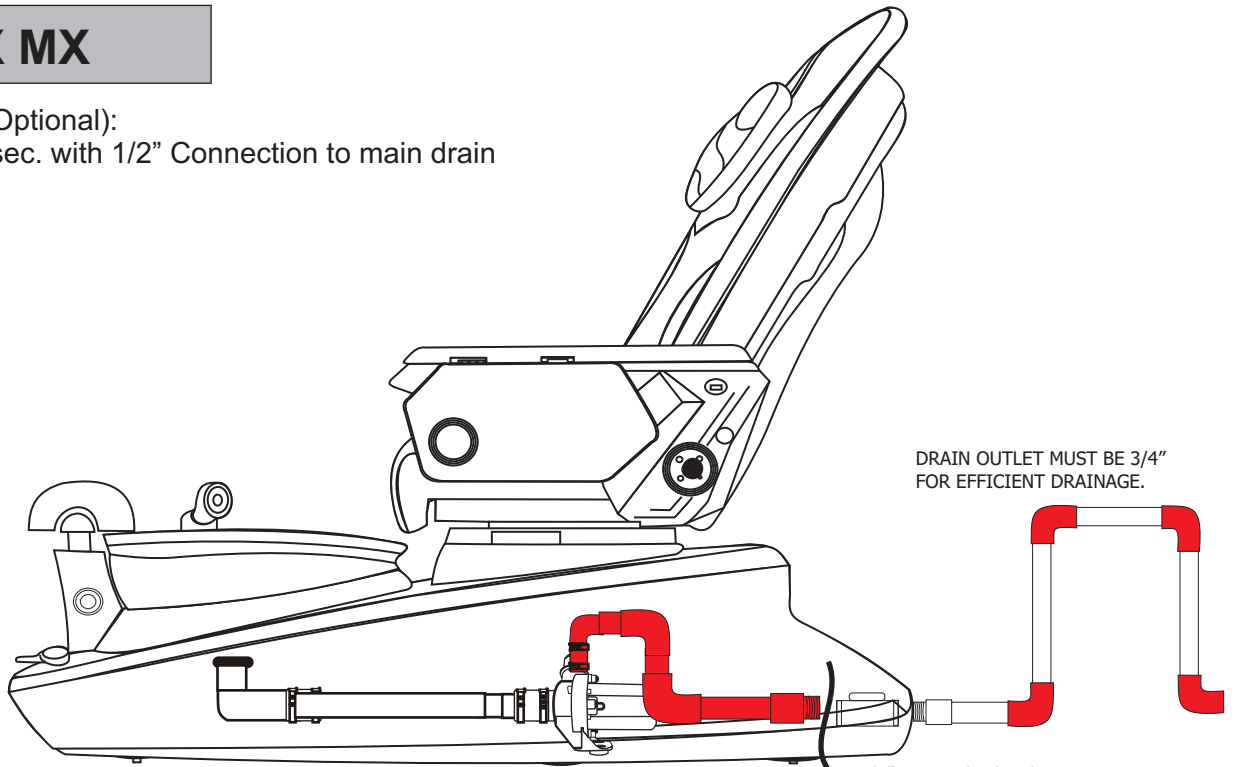
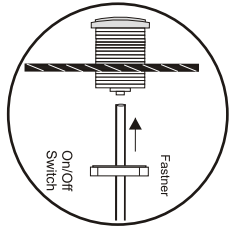


Discharge Pump

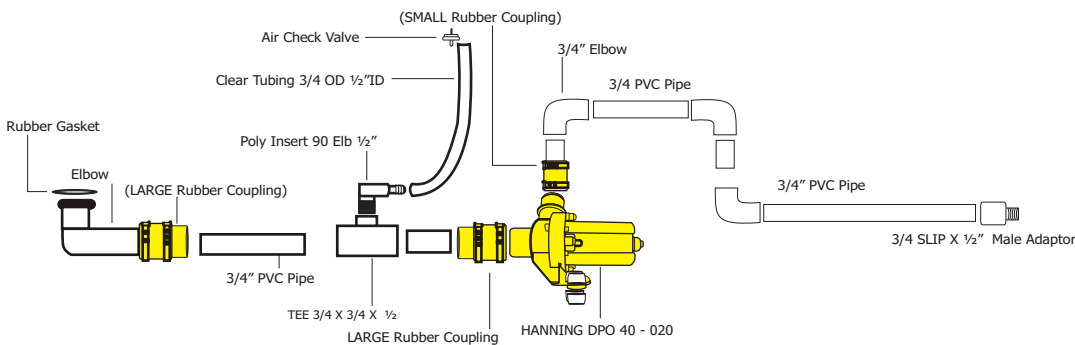


LENOX MX

Discharge Pump (Optional):
Up to 3ft @ +/- 39 sec. with 1/2" Connection to main drain



3/4" Brass Check Valve
PLUMBER MUST BE UTILIZED TO INSTALL CHECK VALVE



Electrical Control Box
(Located left bottom inside of base)

3/8" clear Tube
from On/Off Switch
for Part time control box

Installation Instruction

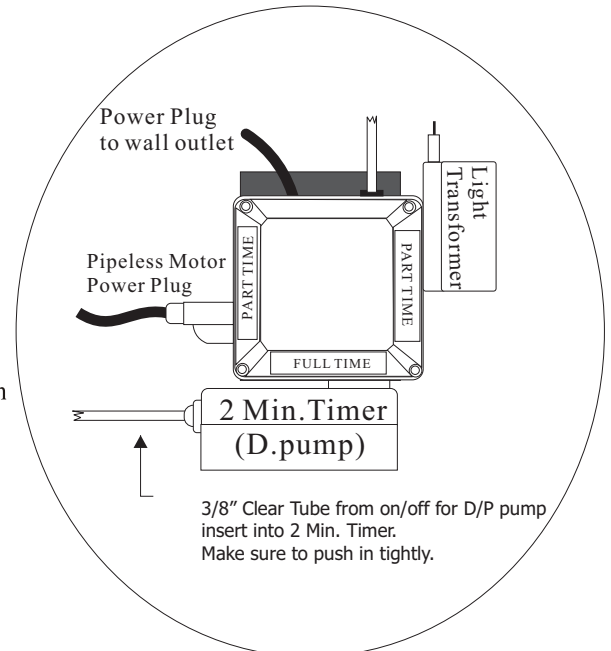
1. Make a hole (size 1-3/8") for the On/Off switch as shown (see fig 1). Pre-drill required.
2. Placed a 1/8" clear hose into the rear of the switch and on/off switch into the hole.
3. The discharge pump kit is made to fit onto the pedicure unit. (see fig 2)
4. Connect E-Z connector onto the drain elbow.
5. Plug discharge pump outlet into the two minute timer outlet
6. Plug two minute timer into the wall outlet.
7. It is very important that tip of the clear tub remain above the water Level with one loop as shown.

**** Please cut to fit 1" Flex hose to your size****

Operation Instruction

Please! DO NOT run dry

1. Turn to open drain plug.
2. Press On/Off switch to activate timer.
3. At any time, water drain completely from the basin. Press On/Off switch to stop or built in two minute timer

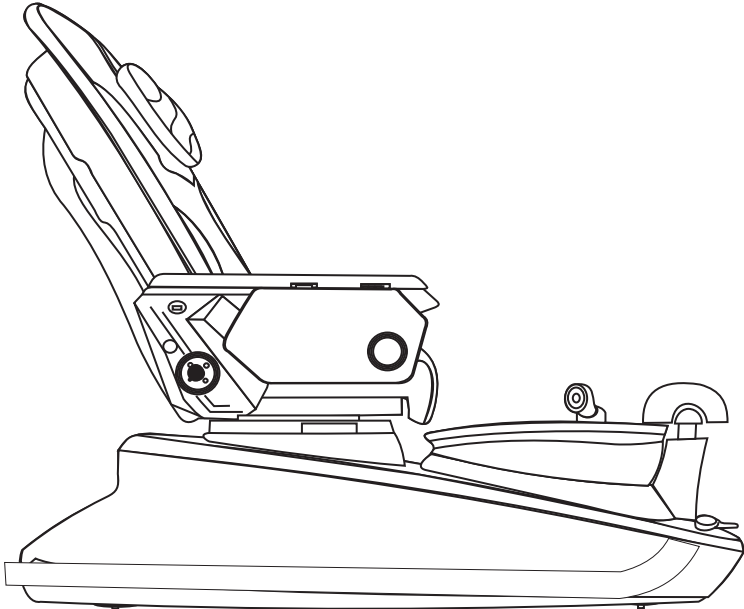


J&A - Air Ventilation System for Pedicure Spa

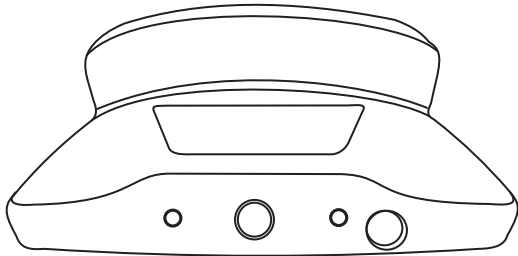
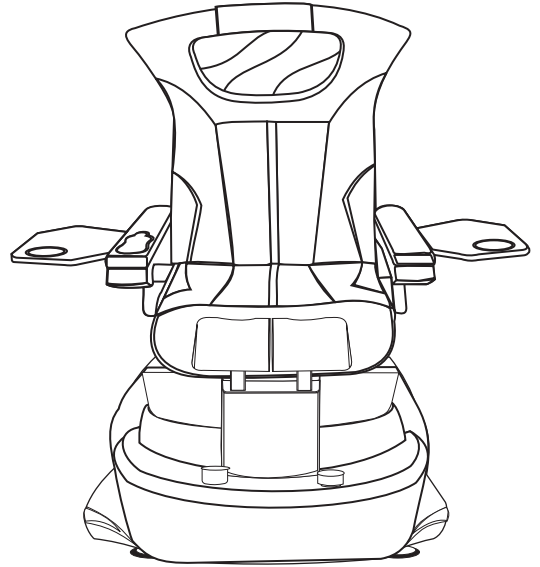
LENOX MX

Optional

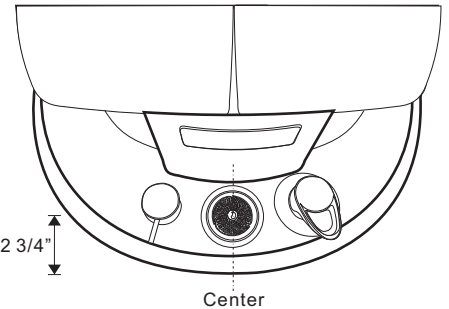
Air Ventilation System - improve air quality, can minimize exposure and reduce the health risk of the customer and salon technicians.



2" OD Flex PVC Pipe

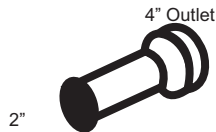


Ventilation Outlet Hole Size; 2 1/4"



INTERNATIONAL CODE COUNCIL®

Example to the wall connection
NOT Provided
 Always check Federal, State specific ordinances and local code.



ICC Minimum Ventilation Rates

Occupancy Classification

People Out door Air flow Rate in Breathing Zone, cfm/person	20
Default Occupant Density, #/1000 ft^{2a} :	25
Area Outdoor Airflow Rate in Breathing Zone, R_A cfm/ft^{2a} :	0.12
Exhaust Airflow Rate, cfm/ft^{2a} :	0.6

-Mechanical exhaust id required and recirculation is prohibited except that recirculation shall be permitted where the resulting supply airstream consists of not more than 10 percent air recirculated from these spaces.

- For nail salons, the required exhaust shall include ventilation tables or other systems that capture the contaminants and odors at their source and are capable of exhausting a minimum of 50 cfm per station.

Source: IMC Sec.502.20 Manicure and Pedicure Stations
 Maicure and Pedicure Stations shall be provided with an exhaust system in accordance with 403.3.1.1, Note h

Note h is as follows: "for nail salons, each manicure and Pedicure stations shall provided with a source capture system capable of exhausting not less than 50 cfm per station ...

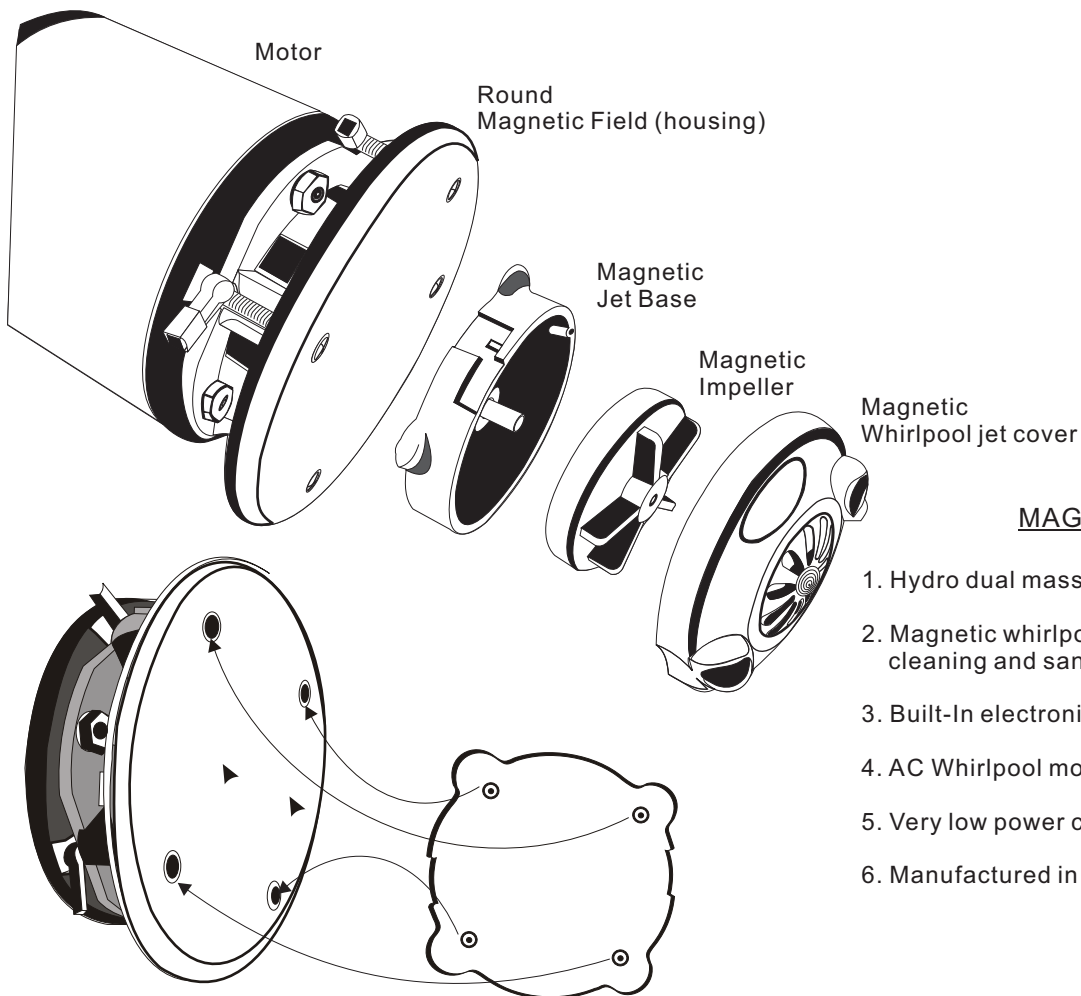
Disclaimer: Always check Federal, State specific ordinances and Local codes.

MANGA - JET (OPTIONAL)

Safety Instruction

When using electrical equipment, Basic safety precautions must be followed to reduce the risk of fire, electrical shock, and injury to Persons.

1. Read and follow all instructions before using the equipment.
2. Keep electrical cord out of heavy traffic area. To avoid fire hazard NEVER place electrical cord under the rug, near heat Generating devices.
3. Always turn power off the equipment before service.
4. Do not drop or insert any object into any openings.
5. Do not operate any equipment with damaged parts.
6. Any other use not recommended by the manufacturer may cause electrical shock or cause injury to person/s.
7. Never use it outdoors
8. Do not attempt to repair or adjust any electrical or mechanical.



MAGNA - JET Features

1. Hydro dual massage jet stream
2. Magnetic whirlpool jet cover can be remove for quick cleaning and sanitizing.
3. Built-In electronic sensor for pump control.
4. AC Whirlpool motor (long life)
5. Very low power consumption (27W)
6. Manufactured in USA.

Cleaning Instructions

1. Turn off the unit and wait until the motor is fully stops.
2. Hold Hydro whirlpool jet cover firmly and pull to separate from the round magnetic field.
3. Turn hydro whirlpool jet cover to left to open and pull out impeller.
4. Use Anti - Bacterial solution (EPA Registered) to clean all parts.
5. After sanitize all parts, place impeller and close hydro whirlpool jet cover to turn right to lock
6. Hold firmly the whirlpool cover jet and gently place it onto the round magnetic field. Do not release the hydro whirlpool jet cover until Jet cover is on the round magnetic housing.

MAGNA-JET Specifications

Model: MAGNA-JET
120VAC, 60HZ. 1.0A

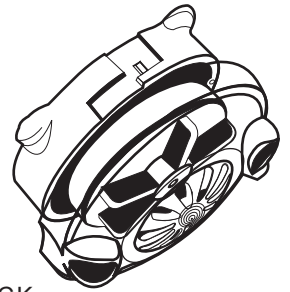
Whirlpool: Hydro Massage Dual Jet Flow

Mounting: 3.5 Inches Diameter (4 x Mounting seal screw Fastener)

How to USE Magnetic jet !

WARNING: DO NOT RUN DRY, BASIN MUST FILLED WITH WATER TO LEVEL INDICATOR.

CAUTION: MAGNETIC JET COVER ASSEMBLY MUST ALIGN WITH DISCHARGE PORT POSITIONED AT 3/9 O'CLOCK.



WHEN READY TO USE, **MAKE SURE** JET COVER IS POSITIONED AT **3/9 OCLOCK** FOR PROPER WHIRLPOOL ACTION IN THE BASIN. IF JET COVER IS **NOT** ALIGN AT 3/9 O'CLOCK, WATER WILL SPLASH OUTSIDE OF THE BASIN.

PROPER WAY TO USE MAGNETIC JET SYSTEM

1- FILL THE WATER TO WATER LEVEL INDICATOR.

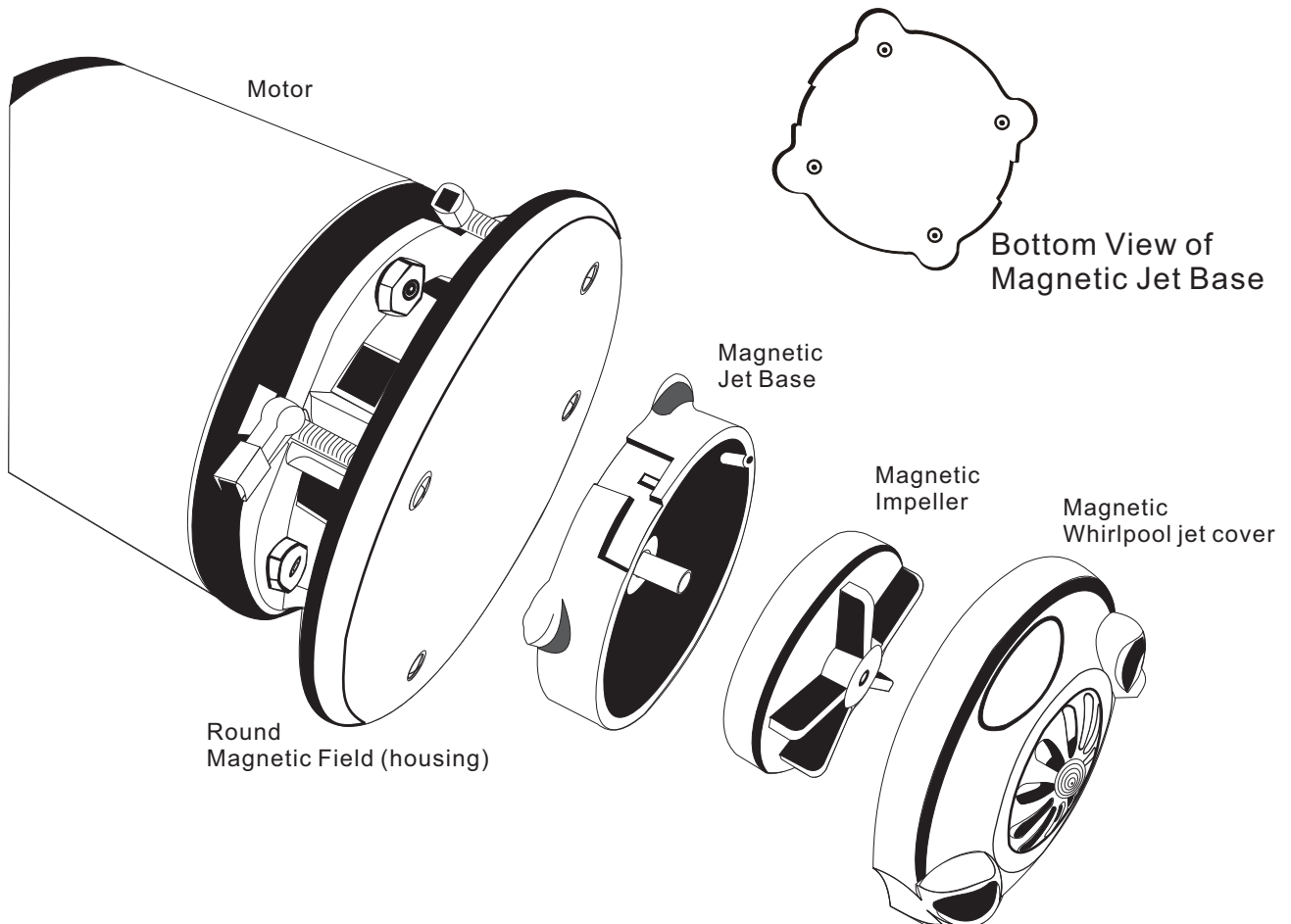
2- HOLD MAGNETIC JET FIRMLY TO BRING CLOSER TO THE ROUND MAGNETIC FIELD AND DO NOT RELEASE

THE MAGNETIC JET PREMATURELY OR THIS WILL CAUSE IMPACTS ON THE JET COVER AND THE ROUND

MAGNETIC FIELD(HOUSING) SHORTENING THE LIFE EXPECTANCY OF THE JET COVER. WHEN THE JET

COVER NEARS THE ROUND MAGNETIC FIELD, PLACE JET COVER ONTO THE FOUR DIMPLE AREA (SEE

DIAGRAM). THE JET COVER MUST ALIGN WITH DISCHARGE PORTS POSITIONED AT 3/9 O'CLOCK.

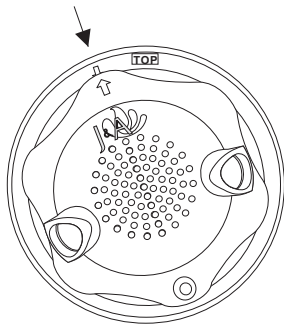


Infiniti Whirlpool Motor

Safety Instructions

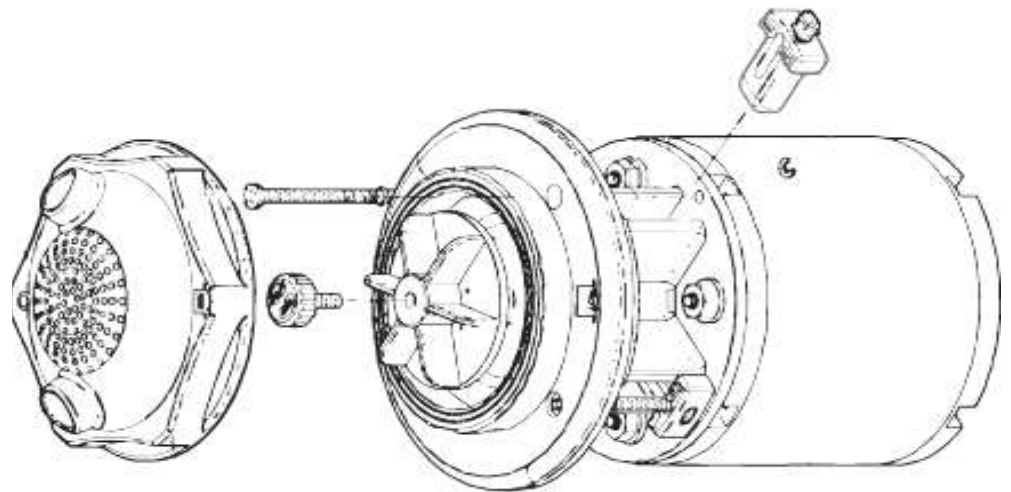
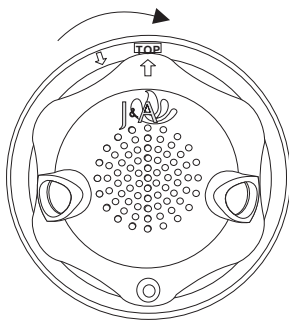
When using electrical equipment, basic safety precautions should always be followed to reduce the risk of fire, electrical shock, and injury to persons, including the following:

1. Read and follow all instructions before using the equipment.
2. Keep the cord out of heavy traffic area. To avoid fire hazard NEVER put the cord under the rugs, near heat generating devices.
3. Always turn off the equipment before servicing.
4. Do not drop or insert any object into any openings.
5. Do not operate any equipment with a damaged parts.
6. Any other use not recommended by the manufacturer may electrical shock or injury to persons.
7. Never use outdoors
8. Do not attempt to repair or adjust any electrical or mechanical functions on the unit.



Close Jet Cover

1. Align an arrow line
2. Turn to right (Top indicated)



Infiniti Pipeless whirlpool motor

1. Dual powerful massage jet-streams
2. Jet assembly can be attached from the pump for quick cleaning and sanitizing.
3. Thermally Protected
4. AC motor (long life)
5. Extremely low power consumption .

Cleaning Instruction

1. Turn the unit off and wait until the motor is fully stops.
2. Remove the front jet cover and notice the locking screw in the center
3. Remove the locking center screw (Indicated an Arrow) and pull out impeller from housing.
4. Use Anti-Bacterial solution (EPA Registered) to clean all part/s.
5. After sanitization, place impeller onto the motor shaft and fasten with center locking screw (Opposite arrow)

Infiniti Pipeless Jet Whirlpool Motor Specification

Model: CS-0216A-MT

Rating: 120VAC / 60Hz, 0.4A - thermally Protected

Pump: Dual whirlpool Jet Flow

Mounting: Single 3.5" hole Diameter
Auto tighten Mounting screws(4)

PRECAUTIONS

Please take precautions when using the Pedicure Spa Throne to prevent possible risk of injury.

A. It is recommended that you do not use the Pedicure Spa Throne if you have the following conditions, symptoms, and/or indications:
Should you experience any discomfort while using the Pedicure Spa Throne, Please stop using the Pedicure Spa Throne, Please stop using the Throne immediately Seek medical attention should your discomfort require it.

1. Within one hour after the meal.
2. Pregnancy.
3. Indication of Thrombosis.
4. Indication of back and/or neck injury.
5. Cardiovascular Ailments.
6. Advance arthritis, Arthroplasty, and acute Rheumatoid Arthritis.
7. Fresh wounds, scars and sutures.
8. Foot, Knee, and Hip implant.
9. Any other metallic/synthetic implants, pacemaker.
10. Lumbar disc ailments
11. Acute inflammations and/or infections.
12. Migraine headaches.
13. Epilepsy.

B. Precaution with electrical:

1. DO NOT pull from the power cable when disconnecting. Always pull from the plug to disconnect.
2. DO NOT lay heavy object on top of the power cord.
3. Never use when power cord is damaged.
4. If any electric shock happened, turn off power immediately and call service.
5. If chair has no function when Remote Control is activated, Please confirm whether the power cord and remote control cable are connected properly and check if power is on. If not, please call service.

C. Precaution with Massage Operation:

1. DO NOT apply massage on same body location for prolong time - over 5 minutes.
2. When massage over 30 minutes, make sure you take at least 10 minutes break in between massage.
3. It is advisable to drink a cup of water after the massage as this helps with circulation.

LENOX MX

LENOX MS REMOTE CONTROL INSTRUCTION



INCLINE

Press down to move chair
To desirable angle.



RECLINE

Press down to move chair
To desirable angle.



AUTO

Pre-Programed Automatic
Massage with 3 Options

Green : Stand by

Purple : Full range back massage

Blue : Mostly on shoulder &
upper back.
(Strengthen on shoulder)

Red : Mostly on lower back &
waist (Strengthen on
waist)

COMB

Kneading / Tapping Combinations

KNEADING

3 Selections of Kneading Intensity

TAP

3 Selections of Tapping intensity

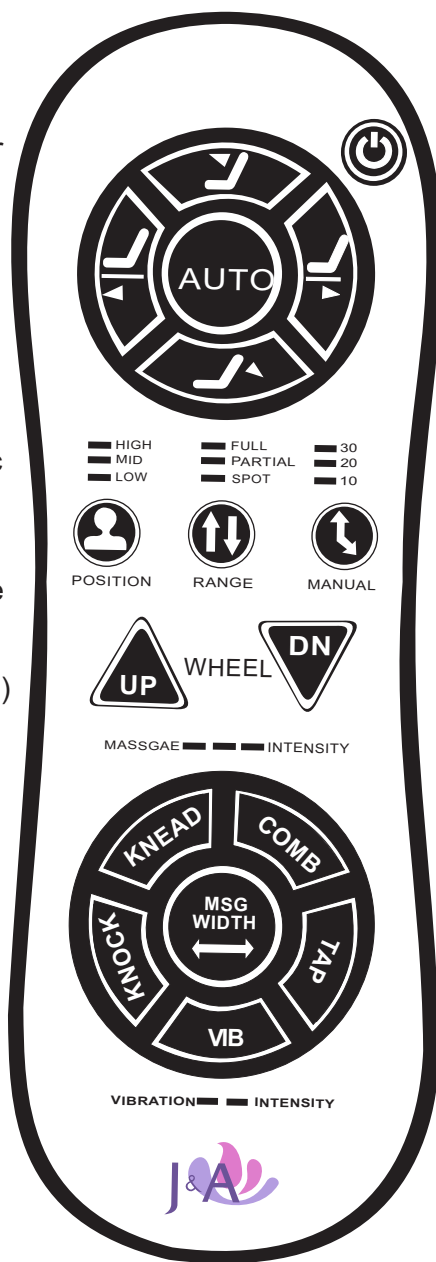
KNOCKING

Impulse Tapping Massage.

2 Selections of Knocking Intensity

Tips : Shiatsu

1. Press Manual / Timer to choose Shiatsu Massage Time Selection
2. Press Massage Range to Select FULL or PARTIAL Travel Position.
3. Press Tapping Width to fine tune comfort.



BACKWARD

Press to hold to move
chair to desirable position



FORWARD

Press to hold to move
chair to desirable position



POWER

Power will be automatically shut
down. If all functions are ceased
over 150 second.



MANUAL

Press for Manual MODE with
Time Selection of 10~30 Mins.



RANGE

Vertical massage range
3 Selections
FULL / PARTIAL / SPOT



POSITION

User's Height
(HIGH / MID / LOW)



WHEEL

Adjust Massage Wheels
Up and Down to desirable
position.



MSG WIDTH



Keep Pressing to Massage Wheel to the
intended Tapping / Knocking Width.

VIBRATION

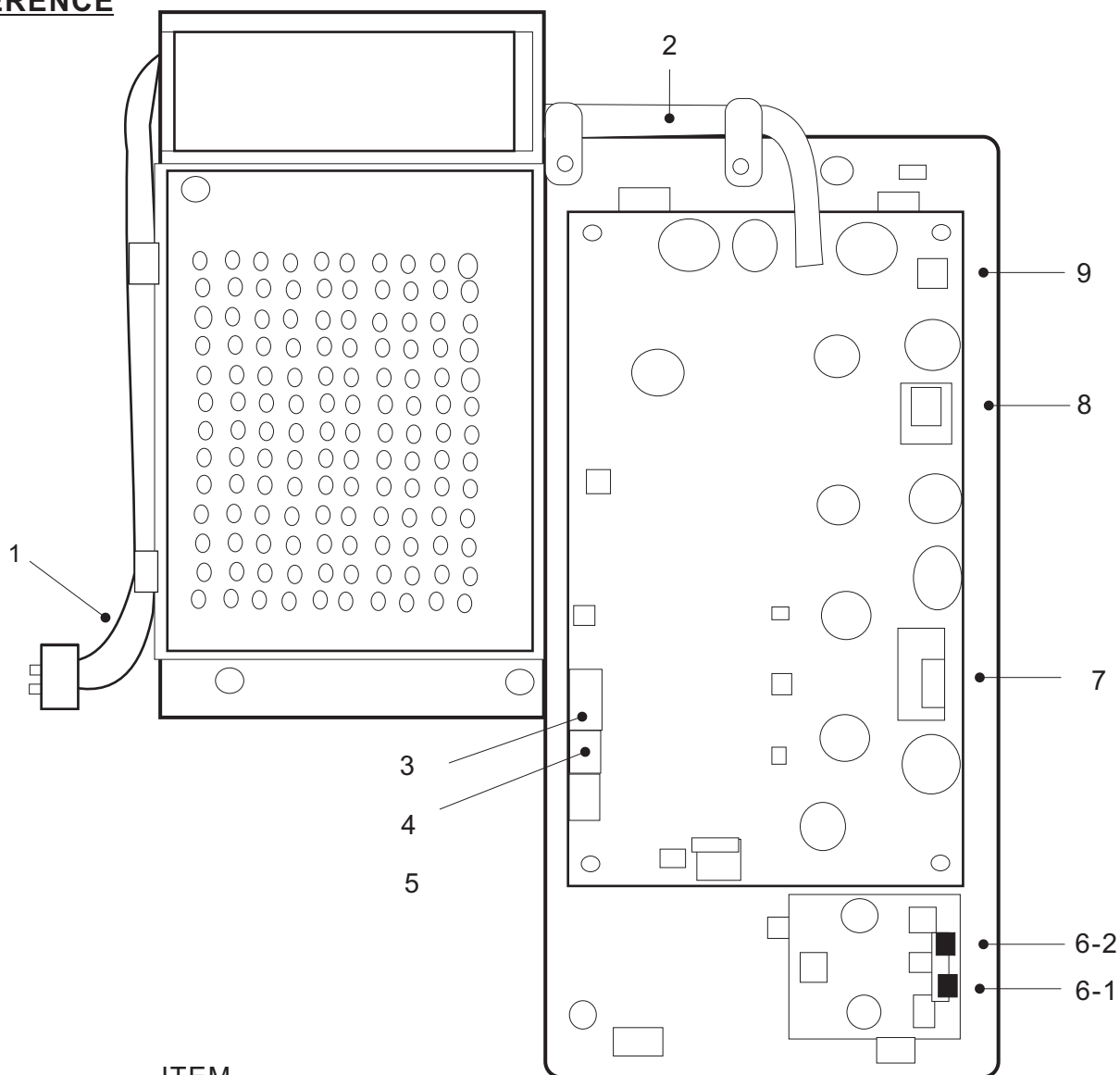
2 Selections of intensity for seat
vibration massage



Second Remote Controller

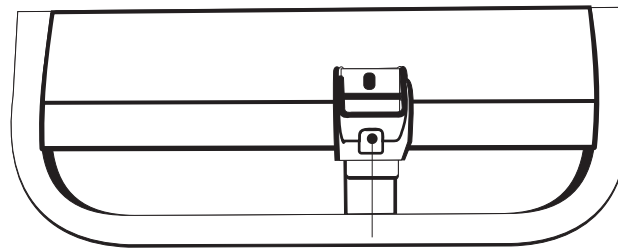
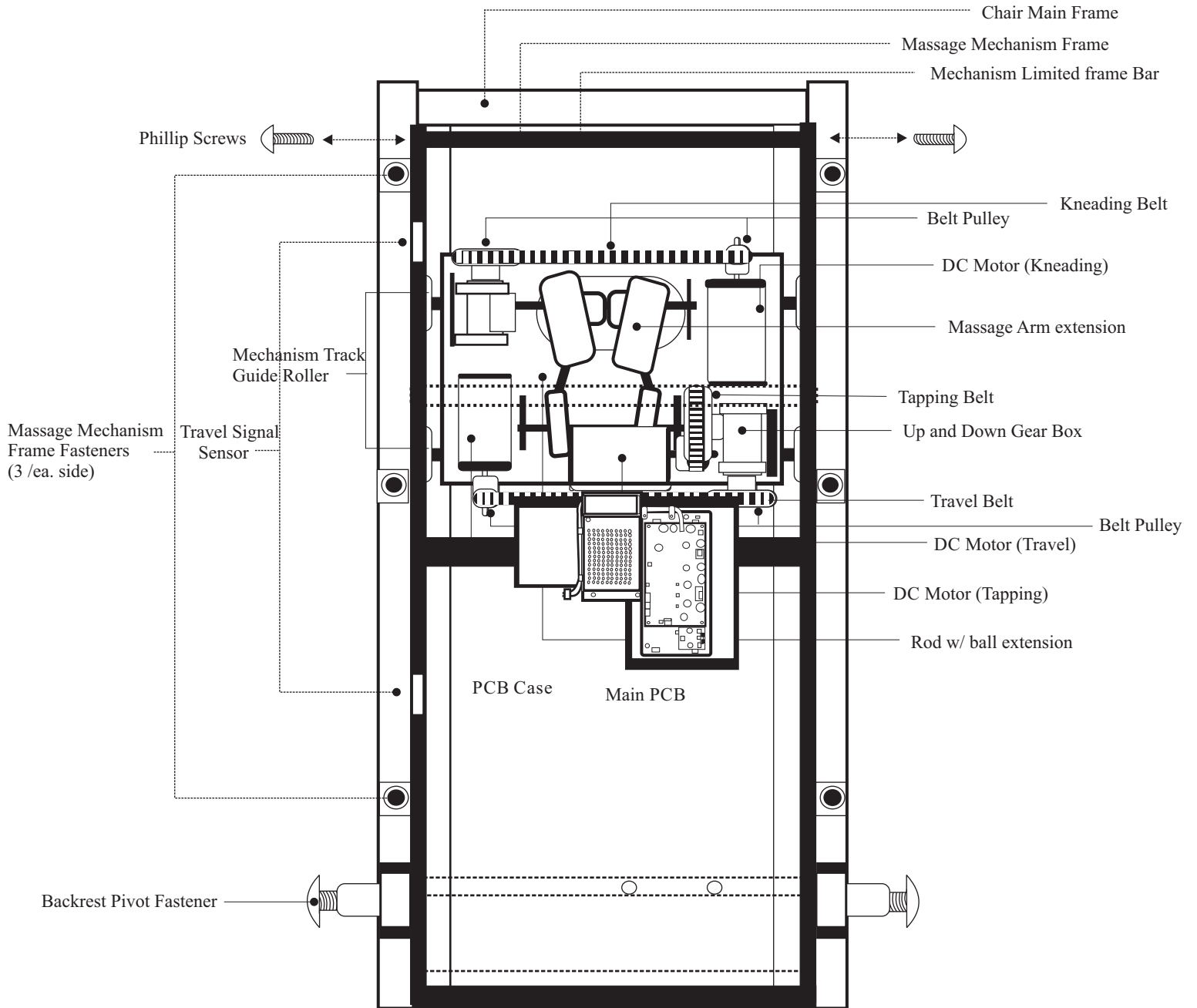
Seat control is always available
when power switch is on

PCB CONNECTOR
CROSS-REFERENCE
TABLE.



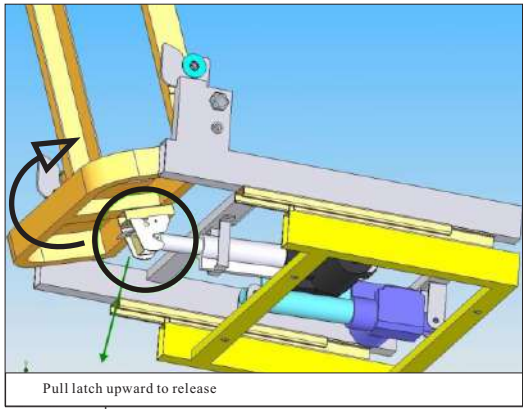
NO.	ITEM
1	POWER WIRE- SWITCHING TO POWER BOX
2	POWER WIRE - PCB END
3	2ND REMOTE WIRE - PCB END
4	TGX-N REMOTE WIRE - PCB END
5	SENSOR WIRE WITH SCREWS
6-1	USB CABLE - MAINBOARD
6-2	USB CABLE - MAINBOARD-RIGHT
7	TGX-N MOTOR CONNECTION WIRE - CHAIR (MOTOR WIRE)
8	SEAT POWER CONNECTION WIRE
9	SEAT POWER CONNECTION WIRE

Massage Mechanism Back cover Open View

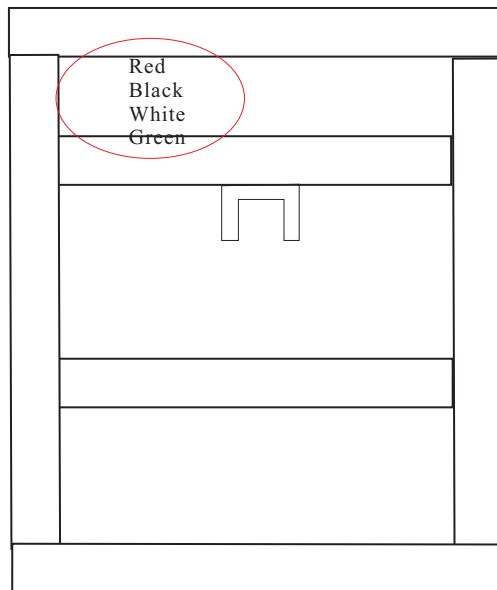


Bracket For Backrest

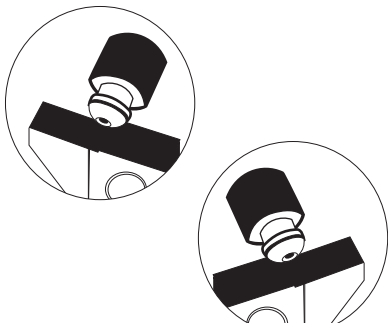
Placing Backrest in Correct position



Top View (Seat Frame)



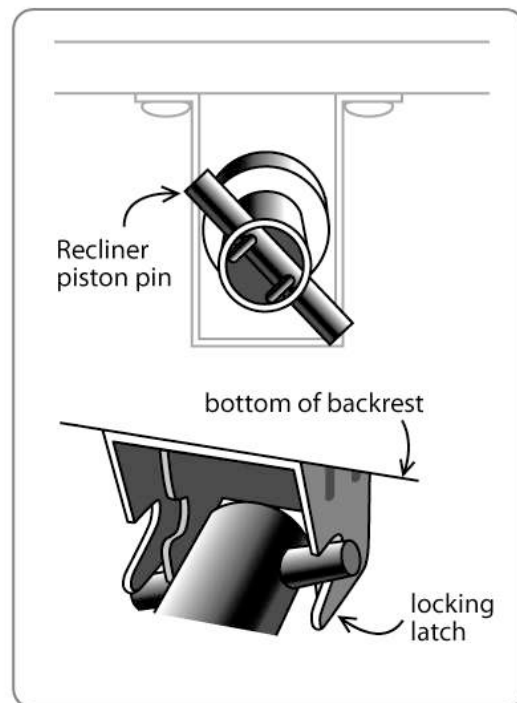
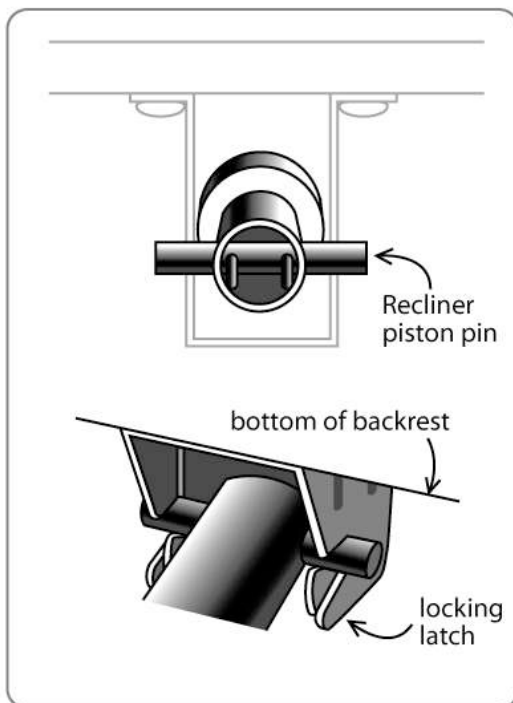
Color code Receptacle Connection
 location: Under Seat Cushion
 Red : Tilting (Up & Down)
 White : Slide (forward and back)
 Green: Seat Vibration
 Black : 2nd remote



Recliner Piston End Attachment Instruction

○ Right

✗ Wrong



- A. Please make sure pin located at the end of recliner piston is in horizontal position.
- B. Slowly raise up the backrest till you hear "clicking" sound to ensure proper pin engagement into locking latch.



Back Flow Protection Device
(Dual Check Valve)

May.1.2014

In accordance with applicable Local or State regulations, J&A USA Inc., The manufacturer of the pedicure whirlpool spa certifies that the following models are equipped with factory installed Dual Check Valve back flow preventer:

- ** Lenox Series
- ** Cleo Series
- ** Episode Series
- ** Pacific Series
- ** Petra Series
- ** Toepia Series

The specification of the installed device is as follows:

DEVICE NAME	DUAL CHECK VALVE BACKFLOW PROTECTION
DEVICE MANUFACTURER	NEOPERL INC. Waterbury CT.
DEVICE MODEL	Dual Check Valve 1/2" x 1/2"NPT
DEVICE SPECIFICATION	TESTED AND CERTIFIED TO MEET NSF/ASSI 61 Complies with ANSI/ASME A112.18.3M, A112.18.1M AND CSA B125
DEVICE PRESSURE	MAXIMUM PRESSURE: 150 PSI (10 BAR) SERVICE PRESSURE : 80 PSI
DEVICE TEMPERATURE	MAXIMUM TEMPERATURE : 150F SERVICE TEMPERATURE : 90F

ALL MODELS OF PEDICURE SPA MENTIONED ABOVE ARE EQUIPPED WITH THE SUBJECT DEVICE AS STANDARD FEATURE. As for your information, indicated State requires Vaccum Breaker.

** Effective April 01 2005:
ARIZONA, CALIFORNIA, NEBRASKA, NEVADA, OREGON,
TEXAS AND WASHINGTON

** Effective June 15 2005:
ILLINOIS, MINNESOTA, WISCONSIN, MICHIGAN

** Effective May 01 2007:
CONNECTICUT

For additional information, Please contact us at 631-243-5300
Very Truly yours,

Technical Support

J&A USA Inc.
335 Crooked Hill Road
Brentwood, NY 11717
Tel: 631.243.3336
Fax: 631.243.3339
www.jausainc.com

CERTIFICATE OF COMPLIANCE

Certificate Number 20140428-E242637
Report Reference E242637-20040930
Issue Date 2014-APRIL-28

Issued to: J & A USA INC
335 CROOKED HILL RD
BRENTWOOD NY 11717

**This is to certify that
representative samples of**


PLUMBING ACCESSORIES
USL, CNL - Commercial-type, Whirlpool Pedicure Spas,
Models Cleo, Episode S-type, Lenox, Pacific and Petra
Model designation may be followed by any two-letter suffix,
not related to safety such as finish, special features etc

Have been investigated by UL in accordance with the
Standard(s) indicated on this Certificate.


Standard(s) for Safety: Standard for Electric Plumbing Accessories, UL 1951
Standard for Motor Operated Appliances (Household and
Commercial), CSA C22.2 No. 68-09

Additional Information: See the UL Online Certifications Directory at
www.ul.com/database for additional information

Only those products bearing the UL Listing Mark for the US and Canada should be considered as being covered by UL's Listing and Follow-Up Service meeting the appropriate requirements for US and Canada.

The UL Listing Mark for the US and Canada generally includes: the UL in a circle symbol with "C" and "US" identifiers:  the word "LISTED"; a control number (may be alphanumeric) assigned by UL; and the product category name (product identifier) as indicated in the appropriate UL Directory.

Look for the UL Listing Mark on the product.



William R. Carney, Director, North American Certification Programs
UL LLC

Any information and documentation involving UL Mark services are provided on behalf of UL LLC (UL) or any authorized licensee of UL. For questions, please contact a local UL Customer Service Representative at www.ul.com/contactus



Limited Warranty Pedicure Spa

IMPORTANT

To validate the limited warranty, The Limited Warranty Registration Form MUST be filled out completely and return to J&A USA within 30 days of original purchased date. This Limited Warranty is valid if J&A USA received registration form.

J&A USA Inc. Pedicure Spas has designed and manufactured with the highest standards and expressly warrant the pedicure spa as follows: To the original owner of the J&A USA Inc. Pedicure Spa may repair or replace, at its option, any pedicure spa found to be defective in material or workmanship upon inspection by a authorized representative of J&A USA Inc. This limited warranty covers the following:

Base - Twenty four (24) month from date of shipment from J&A USA facility.

Components / Parts - Twenty four (24) month from date of shipment from J&A USA facility.

Stool - Ninety (90) days from date of shipment from J&A USA facility.

Shipping Costs - Twelve (1st-12) month from date of shipment. J&A USA will cover normal shipping costs associated with replacement parts. Expedited shipping cost will incur an additional charge.

- Twelve (2nd-12) month from date of shipment associated with replacement part/s shipping cost will be charge to buyer or customer.

Labor - Twelve (12) month from date of shipping, J&A USA Inc will cover reasonable labor costs associated with the installation of replacement parts found to be defective in material or workmanship upon inspection by authorized representative of J&A USA INC.

No labor cost or replacement parts will be covered under this limited warranty if at the sole discretion of J&A USA

NO CONSEQUENTIAL, INCIDENTAL, CONTINGENT, INDIRECT, SPECIAL OR OTHER DAMAGES WILL BE ALLOWED. This warranty is null and void if the pedicure spa is removed from its original installation or is not installed accordance with specifications of pedicure spa or national, state or local codes, regulation and ordinances. Furthermore, this limited warranty is null and void if the pedicure spa is subjected to improper installation or maintenance, negligence, improper cleaning or any other circumstance beyond J&A's control. To validate limited warranty, pedicure spa must be installed by a licensed plumber and/or electrician in accordance with local and / or State code and pedicure spa installation instructions.

Warranty Exclusion

- 1- Unauthorized repairs and/or modification or tampered in any way.
- 2- Damage due to freight, accident, natural disaster and /or abuse or misuse
- 3- Stain, fading or discoloration of seat, back cover, armrests (Upholsteries), Tray or Footrest
- 4- Fading, discoloration or staining of basin or Any portion of surface of pedicure spa caused by water additive or improper water treatment (such calcium built up) and/or cleaning agents/s
- 5- Damage or malfunction due to improper installation including but not limited to, failure to comply with all national, state and local plumbing, electrical and building codes.
- 6- Magnetic jet assembly (base, impeller and cover) due to J&A provided an extra jet assembly to accommodates wear-tear.
- 7- Damage drain pump due to residue built up in drain pipe and / or due to the lack of maintenance.

Parts for which labor / Service is NOT COVERED - Following components are simple to replace and DO NOT require a service technician. Therefore, though the part is covered under the guidelines of the warranty agreement.

- 1- Panel
- 2- Jet cover, impeller and / or jet assembly
- 3- Faucet Cartridge, Shower Head
- 4- Footrest
- 5- Air actuate On/Off Button
- 6- Drain Plug
- 7- Remote control

During the Limited Warranty period, J&A will, at its sole discretion, repair or replace any defective component. All component parts removed under this Limited Warranty become property of J&A USA Inc. And all replacement component /s MUST be return to J&A USA Inc. within 20 days of replacement. If not, replaced component/s will be charge as its cost/s.

This limited warranty is for the original owner and **not** transferable. The original owner agrees by using pedicure spa the obligation of J&A USA shall not extend to indirect or contingent damage or injury. Furthermore, the obligations of J&A are limited to those set forth herein. The limited warranty is the exclusive remedy and is in lieu of all other warranties, express or limited, including but not limited to, any implied warranty of fitness or merchantability for a particular purpose. No distributor or other person has the right or authority to bind J&A USA INC to changes to this limited warranty.

Limitation of liability

TO THE EXTENT ALLOWED BY LOCAL LAW, EXCEPT FOR THE OBLIGATIONS SPECIFICALLY SET FORTH IN THIS WARRANTY STATEMENT, IN NO EVENT WILL J&A OR ITS THIRD PARTY SUPPLIERS BE LIABLE FOR ANY DAMAGED CAUSED BY J&A'S PEDICURE SPA OR THE FAILURE OF J&A PEDICURE SPA INCLUDING ANY LOST PROFIT OR SAVINGS, BUSINESS INTERRUPTION, LOSS OF USE OR ANY OTHER COMMERCIAL OR ECONOMIC LOSS OF ANY KIND, OR SPECIAL, INCREMENTAL, OR CONSEQUENTIAL DAMAGES. THIS LIMITATION OF LIABILITY APPLIES WHETHER DAMAGES ARE SOUGHT, OR A CLAIM MADE, UNDER THIS LIMITED WARRANTY OR AS A TORT CLAIM, A CONTRACT CLAIM OR ANY OTHER CLAIM.

After Service Inquiry Form

Please use inquiry form as all service request
(Fill out all blanks and Fax or email us, our A/S Dept. will call you promptly)



Distributor Name: _____ Date _____

Phone Number: _____

Contact Person: _____

Salon Name: _____

Address: _____

Phone Number: _____ Alternate Phone Number: _____

Contact Person: _____ Best time to reach: _____

Serial Number: _____

Brief Description of Problem: _____

J&A Service Official Use Only

Technician Name: _____ Date: _____

Service Status: _____



*Copyright 2024 by J&A USA Inc.
Printed in USA*

J&A USA INC.

335 CROOKED HILL RD. BRENTWOOD, NY. 11717
1.631.243.3336 WWW.JAUSAINC.COM

SERVICE & ORDER PARTS

1.631.243.5300 WWW.PEDISPAFIX.COM