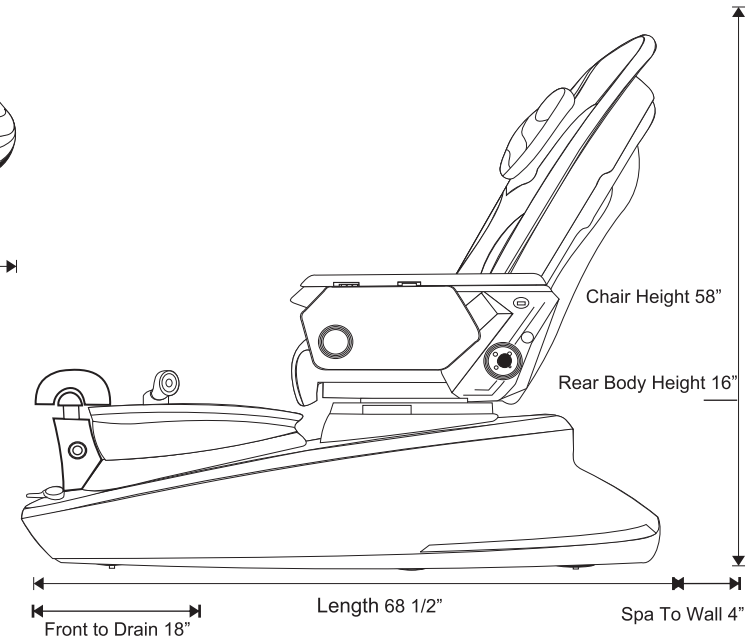
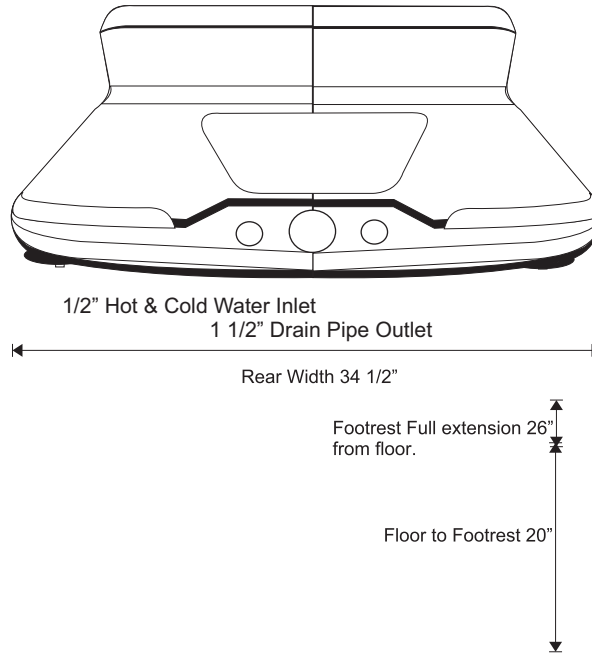
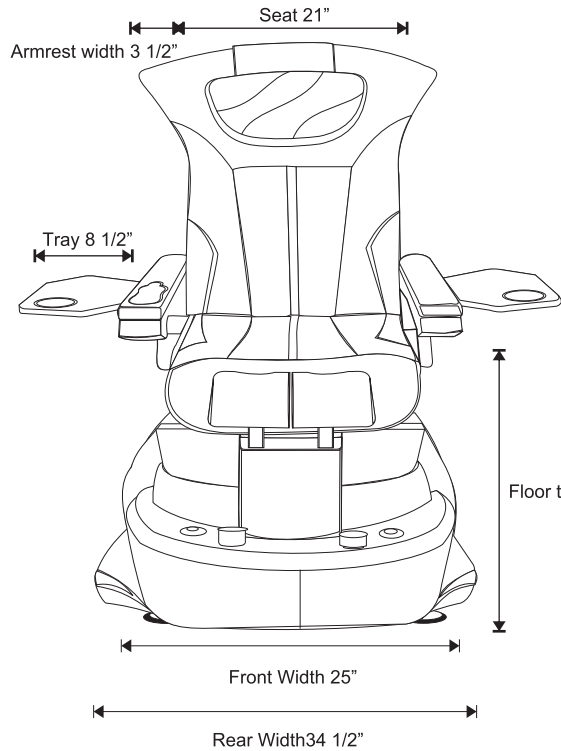


# LENOX MX



## SPECIFICATION

Dimension & Weight (Shipping)	Lenox MX Pedicure Spa Technician Stool	75L x 41W x 43H 20"W x 21"L x 8.5"H	300 Lbs 19 Lbs
Capacity of Tub	Diamond Pattern Glass Bowl	5 U.S Gallon	
Switch		On/Off Air Activate Switch	
Power Source	Dedicated 15Amp Wall Outlet Required Pipeless Whirlpool Motor Massage System Discharge Pump ( Optional)	120Vac, 60Hz. In:100-240V 50/60Hz 1.6A Out: 24V 2.5V 120Vac. 60Hz.	
Plumbing	Hot Water Cold Water Drain	0.5" inch (Fitting Provided) 0.5" Inch (Fitting Provided) 1.5" PVC Outlet (See Plumbing Instruction)	
Warranty	Pedicure Spa Option	2 Years (See detail in Warranty) 120 Days	

Due to continuous improvements on all our products, specification, characteristics, packing, color, designs are subject to change without notice.