

PACIFIC GT

DURABLE AND EFFICIENCY COMBINED





J&A USA has been manufacturing quality Pedicure Spas since 1996 with a strong commitment to delivering exceptional after-sales technical support. Each spa is assembled according to the client's preferred color and feature specifications, ensuring that it meets the highest quality standards for safety, comfort, and durability.

J&A USA

YOUR TRUSTED PEDICURE SPA PARTNER



25+ years
of experience



After-sales
support



3rd party
certification



Reliable
warranty



CUSTOM
MADE



PACIFIC GT

- Compact and Sophisticated Design
- LED Light in Bowl and Durable Acrylic Base
- Crack-resistant Beautiful, Hi-Performance Foot Tubs
- Discrete Pull-out Showerhead
- Adjustable Footrest for Pedicure Precision



Shiatsu Massage Leather Chair with Built-in Remote and USB Charging Port

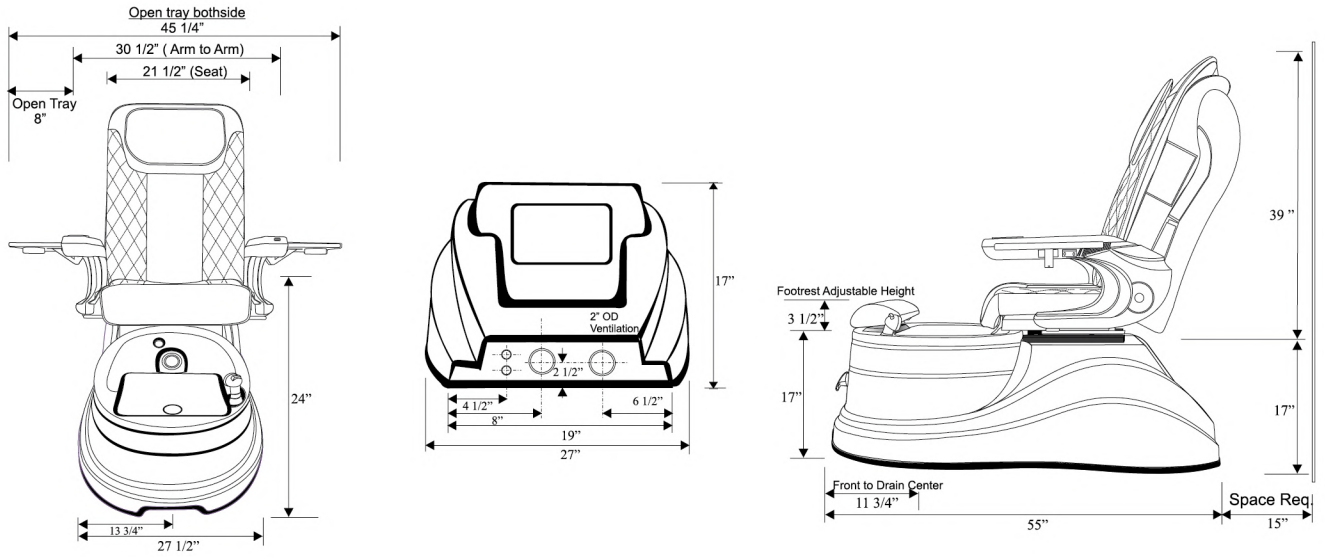
Spa Controls Electronic Recline and Slide 2nd Remote on Base for Technician's Ease

Foldable Arm Trays with Cup Holders

Replaceable Leather Chair Covers for Routine Spa Refresh

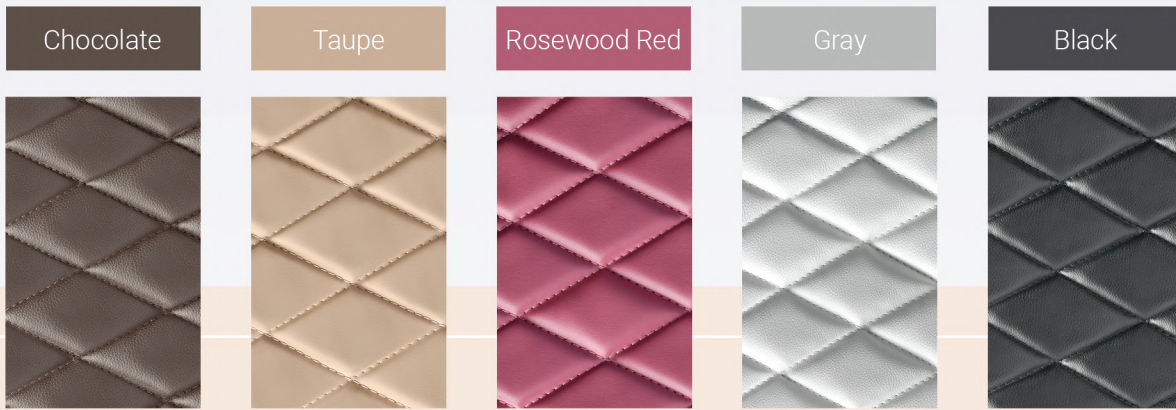
Easy Plumbing Attachments

SPECIFICATIONS



Capacity of Tub: 4.5/5 Gallons | Plumbing: Hot & Cold Water - 0.5 inches | Drain: 1.5 inches

COLORS



*Due to differences in monitor or print settings, there may be a slight difference in color between what is shown on the site/catalogue and the final product. If you would like to see the product in person, please contact us so we can direct you to the nearest distributor showroom to see a sample.



Bone Base



White Base



Black Base

PACIFIC GT



ACCESSORIES



• Embedded Remote



• Pivot Up-Down Armrest



The art of COMFORT

Equipped with a full body shiatsu massage system & pipe-less motors, customers will undergo both a calm mind and relaxation during the entire experience

STOOLS & CHAIRS



CAPPUCCINO

MONACO CUSTOMER CHAIR

- OVERALL DIMENSION: 29" X 16" X 25"
- WEIGHT: 43 LBS
- SHIPPING DIMENSIONS
 - 23" X 20" X 14" SHIPPING
 - WEIGHT: 22LBS



GRAY

BLACK

MOCHA

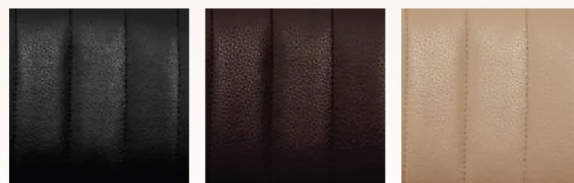
CHOCOLATE



BURGUNDY

M STOOL TECHNICIAN STOOL

- OVERALL DIMENSION: 19"W X 23"D
- WEIGHT: 18 LBS
- HEIGHT ADJUSTMENT:
 - LOW PISTON (PEDICURE): 13" TO 16"
 - MEDIUM PISTON (MANICURE): 16" TO 19.5"
- SHIPPING DIMENSIONS 1 IN 1 BOX:
 - 23" X 20" X 14" SHIPPING - WEIGHT: 22 LBS
- SHIPPING DIMENSIONS 2 IN 1 BOX:
 - 23" X 20" X 17" SHIPPING -WEIGHT: 39 LBS



BLACK

CHOCOLATE

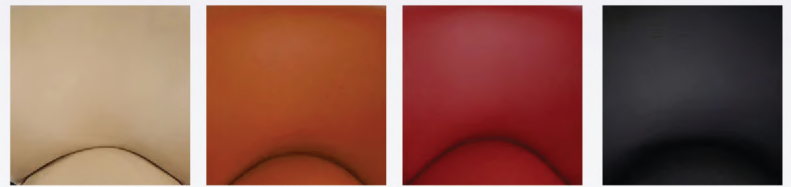
TAUPE



GRAY

EURO STOOL TECHNICIAN CHAIR

- OVERALL DIMENSION: 19"W X 23"D
- WEIGHT: 17 LBS
- HEIGHT ADJUSTMENT:
 - LOW PISTON (PEDICURE): 13" TO 16"
 - MEDIUM PISTON (MANICURE): 16" TO 19.5"
- SHIPPING DIMENSIONS: 23" X 19" X 15"
- SHIPPING WEIGHT 1 IN 1 BOX: 19 LBS
- SHIPPING WEIGHT 2 IN 1 BOX: 36 LBS

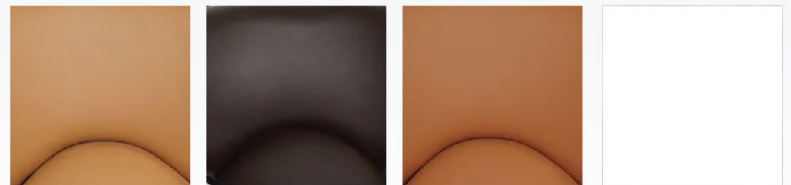


TAUPE

RED ORANGE

RED

BLACK



MOCHA

CHOCOLATE

CAPPUCCINO

WHITE



TAUPE

COOKIE STOOL TECHNICIAN STOOL

- OVERALL DIMENSION: 17 1/2"W X 18"D
- WEIGHT: 20 LBS
- HEIGHT ADJUSTMENT:
 - LOW PISTON (PEDICURE): 13" TO 16"
 - MEDIUM PISTON (MANICURE): 16" TO 19.5"
- SHIPPING DIMENSIONS: 23" X 21" X 20"
- SHIPPING WEIGHT 1 IN 1 BOX: 20 LBS
- SHIPPING WEIGHT 2 IN 1 BOX: 35 LBS



MOCHA

CHOCOLATE

CAPPUCCINO

BLACK

FURNITURE

SINGLE NAIL TABLE

DIMENSIONS: 40"W X 30 1/2"H X 16"L



COLORS: White Granite Top & Dark Brown Wood White Wood

NAIL DRYER TABLE

DIMENSIONS: 55 1/2"W X 36 1/2"H X 16 1/8"L



COLORS: White Granite Top & Dark Brown Wood White Wood

RECEPTION

DIMENSIONS: 52 3/4"W X 44 1/4"H X 18 1/2"L



COLORS: White Granite Top & Dark Brown Wood White Wood

DOUBLE NAIL TABLE

DIMENSIONS: 71"W X 30 1/2"H X 16"L



COLORS: White Granite Top & Dark Brown Wood White Wood



Optional Ventilation

Optional Ventilation is available for both single & double tables. Consult with your local and state board regulations for compatibility.

TROLLEY

DIMENSIONS: 20"W X 16"D X 42.5"H



Walnut Wood

White Wood

PEDI CART

DIMENSIONS: 14 1/4"W X 17"H X 14 1/4"L



Dark Brown Wood

White Wood

HOT TOWEL WARMER

L : 16.5"W X 16"D X 17.5"H
M : 18"W X 11.5"D X 14.5"H
S : 14"W X 11"D X 10"H





PACIFIC GT

J&A USA is in the state of New York with a commitment to manufacture quality pedicure spas. J&A USA believes the specifications in this booklet to be correct at the time of publication. However, specifications, standard equipment, options and colors are subject to change without notice. Please ask your authorized distributor for advice concerning current availability of standard and optional equipment. J&A USA requires that you contact a local, licensed plumber and licensed electrician to install your new pedicure spa. Installation must be in compliance with all of your local and state building codes. Your pedicure spa cannot operate efficiently or safely unless it is provided with adequate electrical power, sufficient water pressure, proper water temperature and required drainage capabilities.

Duration of limited warranty - This warranty covers repairs and adjustments needed to correct defects in materials or workmanship of any part supplied by J&A USA from the date of purchase. Massage/Vibration Pedicure Chair - 24 months (Exclusions: Nose, vibration, cosmetic conditions and other deterioration caused by normal wear and tear.) Fiberglass Pedicure Tub - 24 Months (Exclusions: Impact such as striking or leaping on the base, light bulbs or fading from direct sunlight, normal wear and tear parts such as metallic plated hardware, stickers, paint.) Pedicure Glass Bowl - 24 months (Exclusions: Impact such as striking or leaping on the bowl, surface degradation due to water contaminations such as calcium & mineral deposits, etc.) This warranty covers repairs and adjustments needed to correct defects in materials or workmanship of any part supplied by J&A USA except in the following situations: fire, accidents or theft; abuse or negligence; misuse - for example, striking or jumping on the unit; improper repairs; alteration or tampering; lack of or improper maintenance. If J&A USA receives notice of defective products during the applicable warranty period, J&A USA shall either repair or replace the defective parts at J&A USA's discretion. Replacement products may be either new or equivalent in performance to new. J&A USA will provide qualifying replacement parts with free shipping to the contiguous U.S. Manufactured by J&A USA, Inc. 335 Crooked Hill Rd. Brentwood, NY 11717.



www.jausainc.com | +1.631.243.3336 | marketing@jausainc.com

For after sales support: www.toepia.com | +1.631.243.5300

Contact your nearest authorized J&A Distributor for individual and bulk pricing details.