



LENOX

Enduring Elegance

PATENT LISTED

L E N O X 

Luxury Without Pretense



The new Lenox M pedicure services chair inspires every client experience with a deeply relaxing exhale, enhanced by exceptional comfort and thoughtful details. Delivering a full menu of posh amenities and well-thought-out features, this exquisite model is quintessential for upscale day spas and resorts.



Details & Features

Top-of-industry materials, construction, service and style reinforce *asdjlak* elegance, comfort and performance. The Lenox M is built and designed to serve clients and salon professionals beautifully over the years.

- Pipeless water systems assure fresh, pure and clean water delivery. Reinforced hoses for hot and cold water lines and a dual spray nozzle provide precise operation with easy, predictable control.
- An impressive swivel range of 90° to both left and right allows easy client access. The industry's longest front-to-back range of motion ensures the comfort for customers of every height.



FULL SHIATSU MASSAGE MENU IS CONVENIENTLY CONTROLLED BY FINGERTIPS ATOP THE ARM REST.



PLUSH, UPHOLSTERED SURFACES OF PREMIUM POLYURETHANE LEATHER ARE EASY TO CLEAN, DISPLAYING SUPERB FADE AND CRACK RESISTANCE.



BEAUTIFUL HARD ROC TEMPERED GLASS SIDE TRAYS AND BOWLS ADD ELEGANCE AND BEAUTY, INFUSED WITH STAIN, SCRATCH AND CRACK RESISTANCE.

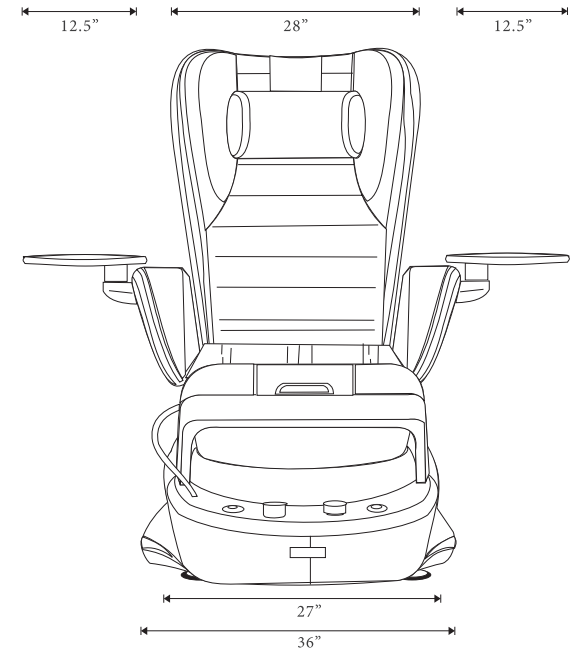
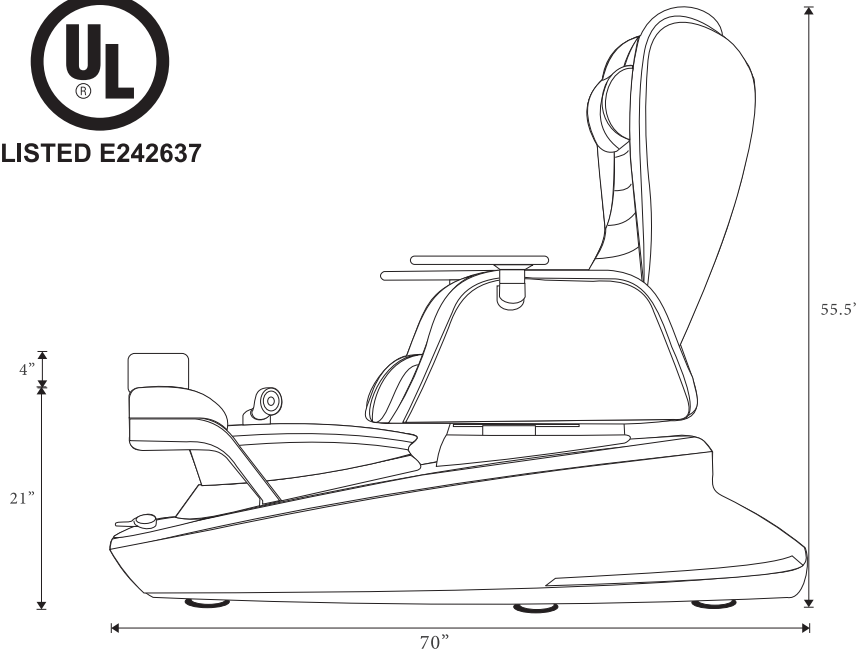


CONVENIENT FRONT CONTROL PANEL, ADJUSTABLE FOOT REST, FOLD AWAY ARM RESTS AND PLEASANT COLOR CHANGING LED SHOWER HEAD COMPLETE THE EXPERIENCE.

Specification



LISTED E242637



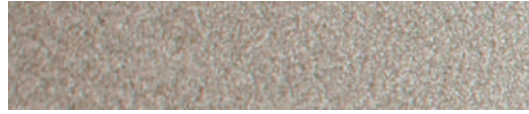
<i>Dimension & Weight</i>	<i>Lenox Pedicure Spa & Massage Chair</i>	<i>68"L x 33"W x 55"H</i>	<i>380 lbs(Net)</i>
<i>Capacity of Tub</i>		<i>4.5 US Gallon</i>	
<i>Switch</i>		<i>On/Off Air Activated Switch</i>	
<i>Power Source</i>	<i>Dedicated 15 Amp. Wall Outlet Require Magna-Jet Pipeless Massage System Discharge Pump(Optional)</i>	<i>120Vac, 0.4Amp. 60Hz 120Vac, 60Hz 120Vac, 1.4Amp. 60Hz</i>	
<i>Plumbing</i>	<i>Hot Water Cold Water Drain</i>	<i>0.5 inches (Fitting Provided) 0.5 inches (Fitting Provided) 1.5 inches (See detailed Instruction)</i>	
<i>Warranty</i>		<i>One year Parts and labor</i>	

Colors & Bowl

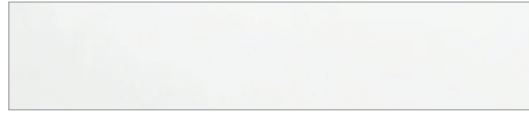
BASE



MIDNIGHT BLACK



SAHARA GOLD

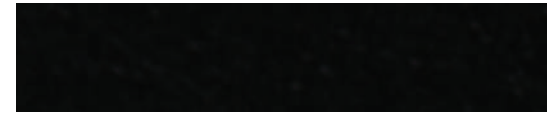


PRISTINE WHITE



ROYAL BLUE

LEATHER



ECLIPSE



BORDEAUX



ESPRESSO

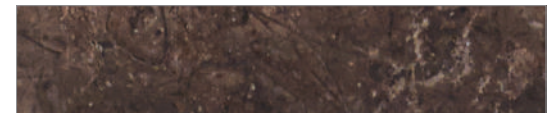


PALOMINO

MARBLE



DAWN



EVENING DUSK

**Actual colors may differ due to limitations and variations inherent in the printing process.

BOWL



BLACK NICKEL



CHAMPAGNE GOLD



CRYSTAL REFLECTIONS



PATENT LISTED

J&A USA, Inc., founded in 1996 in the state of New York, is committed to the design and manufacture of quality pedicure spas. J&A USA, Inc. believes the specifications in this booklet to be correct at the time of publication. Specifications, standard equipment, options and colors are subject to change without notice. Please consult your dealer for advice concerning current availability of standard and optional equipment. J&A USA Inc. requires that installations of new pedicure spas be performed with the assistance of a licensed plumber and licensed electrician. Installation must comply with all state and local building codes.

Pedicure spas cannot operate efficiently or safely unless provided with adequate electrical power, adequate water pressure, proper water temperature, and required drainage.

Warranty coverage includes repairs and adjustments needed to correct any defects in materials or workmanship, or any part supplied by J&A USA Inc. from the date of purchase. Massage/Vibration pedicure chairs are covered under warranty for 24 months, excluding noise, vibration, cosmetic conditions, and other deterioration caused by normal use. Fiberglass pedicure tubs are covered under warranty for 24 months, excluding damage resulting from striking or leaping onto the base, damage due to direct sunlight or exposure to light bulbs, or normal wear to metallic plated hardware, stickers, and paint. Pedicure glass bowls are covered under warranty for 24 months, excluding damage from impact upon striking or leaping onto the bowl, or surface degradation caused by contaminants in water, such as calcium and mineral deposits.

This warranty covers repairs and adjustments needed to correct defects in materials or workmanship of any part supplied by J&A USA Inc., except in the case of fire, accident, or theft. Damage from misuse, such as striking or leaping onto the unit, damage from improper repairs, alterations, tampering, or failure to perform proper maintenance will not be covered. If J&A USA Inc. receives notice of defective products during the applicable warranty period, J&A USA Inc. shall either repair or replace the defective parts at J&A USA Inc. discretion. The replacement product may either be new or be the equivalent in performance to new. J&A USA Inc. will provide free shipping for replacement parts to any qualifying address in the contiguous U.S. Products are manufactured by J&A USA, Inc., 335 Crooked Hill Rd., Brentwood, NY 11717.

FOR MORE INFORMATION, CONTACT LENOX PEDICURE SPA. | TEL: 631.243.3336 | SERVICE & PARTS ORDER: 631.243.5300 | WWW.LENOXPEDICURECHAIR.COM