



PETRA GX

A MIX OF STYLE & EASE



Optional
USB
\$25



Optional
Ventilation
\$125



Auto
Fill
\$250



Drain
Pump
\$250

For more information, Contact J&A USA Inc. Tel: 631. 243. 3336



PETRA GX
Winner of Numerous Awards



www.jausainc.com



J&A USA INC.
335 CROOKED HILL RD.
BRENTWOOD, NY 11717
631. 243. 3336

→ Check the QR Codes
for details about
the Petra GX.



PETRA GX

With an elegantly made padded leather upholster on a sleek UV metallic paint base with a tinted glass pedicure bowl, the Petra GX is a mix of style and ease. Equipped with full body shiatsu massage system and pipeless hydro motors, the Petra GX will give your client's a full spa experience that they will undoubtedly come back for.



Optional
USB



Optional
Ventilation



Optional
Auto Fill



Optional
Drain Pump

PETRA GX
[lucent tones with elegant clarity]

- White LEATHER
- White BASE
- Crystal REFLECTIONS BOWL



CRYSTAL REFLECTIONS



GOLD REFLECTIONS



BLACK NICKEL



Optional
USB
\$25



Optional
Ventilation
\$150



Auto
Fill
\$250



Drain
Pump
\$250

LEATHER / UPHOLSTERY



BLACK

BRICK

BURGUNDY

CAPPUCCINO

CHOCOLATE

GRAY

MOCHA

PETRA GX

sturdy comfort with
luxurious gold

- Mocha LEATHER
- Gold BASE
- Gold REFLECTIONS BOWL



CRYSTAL REFLECTIONS



GOLD REFLECTIONS



BLACK NICKEL



Optional
USB
\$25



Optional
Ventilation
\$125



Auto
Fill
\$250



Drain
Pump
\$250

LEATHER / UPHOLSTERY



BLACK

BRICK

BURGUNDY

CAPPUCCINO

CHOCOLATE

GRAY

WHITE

PETRA GX
foaming smoothness with
a hazel complexion

- Cappuccino LEATHER
- Bone BASE
- Gold REFLECTIONS BOWL



CRYSTAL REFLECTIONS



GOLD REFLECTIONS



BLACK NICKEL



Optional
USB
\$25



Optional
Ventilation
\$165



Auto
Fill
\$250



Drain
Pump
\$250

LEATHER / UPHOLSTERY



BLACK

BRICK

BURGUNDY

CHOCOLATE

GRAY

MOCHA

WHITE

PETRA GX

[sweet relaxation with
an ashen finish]

- Chocolate LEATHER
- Prestige Grey BASE
- Black Nickel BOWL



CRYSTAL REFLECTIONS



GOLD REFLECTIONS



BLACK NICKEL



Optional
USB
\$25



Optional
Ventilation
\$125



Auto
Fill
\$250



Drain
Pump
\$250

LEATHER / UPHOLSTERY



BLACK

BRICK

BURGUNDY

CAPPUCCINO

GRAY

MOCHA

WHITE

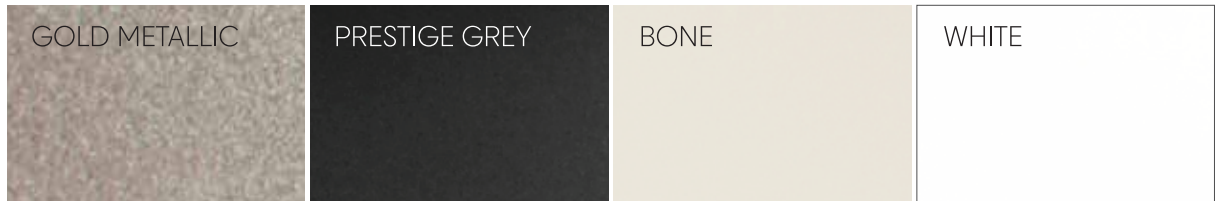
PETRA GX

LEATHER COLORS



*Actual colors may differ due to limitations and variations inherent in the printing process.

BASE COLORS



BOWL COLORS



GOLD REFLECTIONS

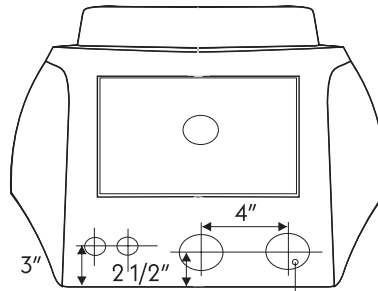
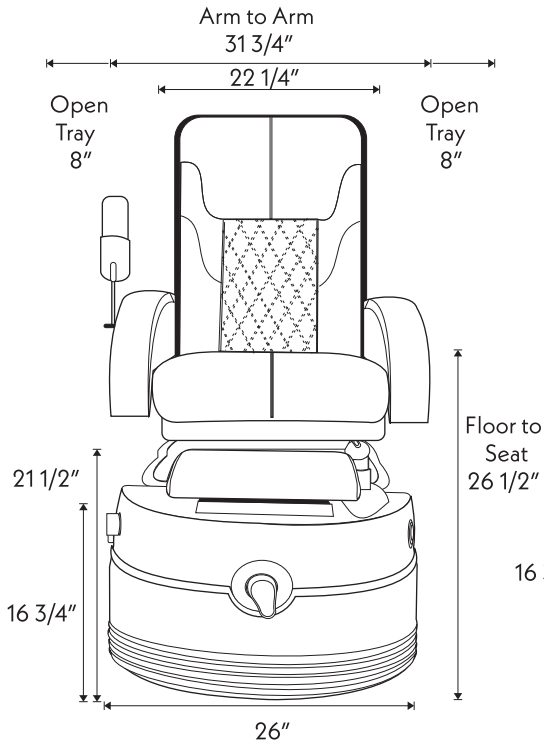


BLACK NICKEL



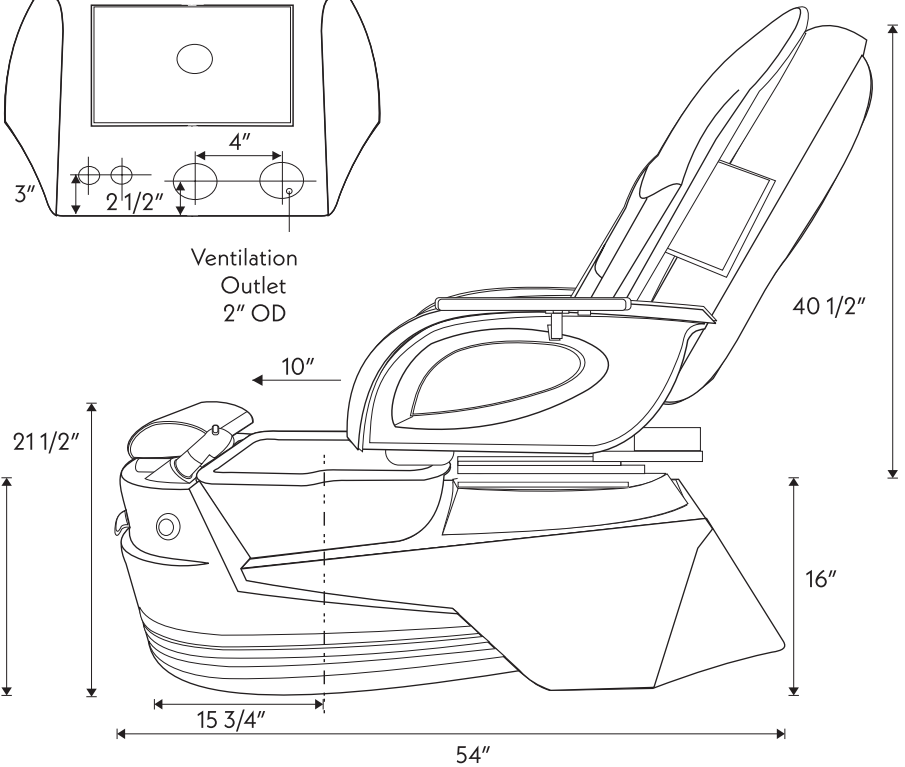
CRYSTAL REFLECTIONS

SPECIFICATION



Floor to
Seat
26 1/2"

16 3/4"



Dimension	Petra GX Stool	54L x 31 3/4W x 56 1/2H 20 1/4L x 27 1/4W x 17H	225 lbs 20lbs.
Shipping Dimension & Weight	Petra GX	67L x 37W x 40H Include Stool	315lbs
Capacity of Tub	Petra GX	5 US Gallon	
Switch Power Source	Dedicated 15 Amp. GFCI Protected Ground Magna-Jet Pipeless Massage System	On/Off Air Activated Switch 115Vac. 60Hz. 3.2 Amp. 120Vac. 60Hz. .83 Amp.	
Plumbing	Hot water Cold Water Drain	0.5 inches (Fitting Provided) 0.5 inches (Fitting Provided) 1.5 inches (See detailed instruction)	
Warranty	Pedicure Spa	One year Parts and labor	

PETRA GX



PURSE HOLDER



CUP HOLDER



REMOTE with HOLDER



VENTILATION (Optional)



HEIGHT ADJUSTABLE FOOTREST (Optional)



FOOTREST (Standard)

- 3 Levels of Height Adjustable Footrest.
- Dual Spray Shower Head.
- LED Lights Provides Soothing Ambiance.
- Right Side Purse Holder.
- USB Charger (Cord Not Included).
- Auto Fill Water (Optional).

SANITIZER



AUTOCLAVE (SEMI-AUTOMATIC)

\$2,070

D: 19"W x 16"H x 18"L
SKU: JA-232X



- 1 WATER LEVEL
- 2 PRESSURE GAUGE
- 3 TIMER SETTING
- 4 POWER SWITCH
- 5 CONTROL VALVE
- 6



FRONT VIEW



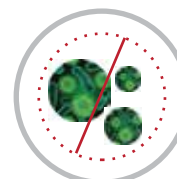
CONTAINER



TOOL
(NOT INCLUDED)



POUCH RACK
(OPTIONAL)



BACTERIA FREE!



PROFESSIONAL UV-SANI

\$158



Dimension: 14"W x 10"H x 8.5"L
SKU: BE - UV - SANI



CLEANMAKER

\$103



Dimension: 11"W X 7.75" H X 11.25" L
SKU: CL- CLEANMAKER

MONACO CUSTOMER CHAIR

- OVERALL DIMENSION : 19"W X 23"D
- WEIGHT : 18 LBS
- SHIPPING DIMENSIONS 1 IN 1 BOX :
- 23 X 20 X 14
- SHIPPING WEIGHT : 22LBS
- SHIPPING DIMENSIONS 2 IN 1 BOX :
- 23 X 20 X 17
- SHIPPING WEIGHT : 39LBS



Mocha



Black



Cappuccino



Chocolate

M STOOL TECHNICIAN STOOL

- OVERALL DIMENSION : 19"W X 23"D
- WEIGHT : 18 LBS
- HEIGHT ADJUSTMENT :
- LOW PISTON (PEDICURE) : 13" TO 16"
- HIGH PISTON (MANICURE) : 16" TO 22"
- SHIPPING DIMENSIONS 1 IN 1 BOX :
- 23" X 20" X 14"
- SHIPPING WEIGHT : 22LBS
- SHIPPING DIMENSIONS 2 IN 1 BOX :
- 23" X 20" X 17"
- SHIPPING WEIGHT : 39LBS



Burgundy



Black



Chocolate



Taupe

EURO STOOL TECHNICIAN STOOL

- OVERALL DIMENSION : 19"W X 23"D
- WEIGHT : 17 LBS
- HEIGHT ADJUSTMENT :
- LOW PISTON (PEDICURE) : 13" TO 16"
- HIGH PISTON (MANICURE) : 16" TO 22"
- SHIPPING DIMENSIONS : 23" X 19" X 15"
- SHIPPING WEIGHT 1 IN 1 BOX : 19LBS
- SHIPPING WEIGHT 2 IN 1 BOX : 36LBS



Gray



Black



Chocolate



Cappuccino



Mocha



Orange



Red



Red Orange

COOKIE STOOL TECHNICIAN STOOL

- OVERALL DIMENSION: 17 1/2"W X 18"D
- WEIGHT: 20 LBS
- HEIGHT ADJUSTMENT
- LOW PISTON (PEDICURE): 13" TO 16"
- HIGH PISTON (MANICURE): 16" TO 22"
- SHIPPING DIMENSION: 23" X 21" X 20"
- SHIPPING WEIGHT 1 IN 1 BOX: 20 LBS
- SHIPPING WEIGHT 2 IN 1 BOX: 35 LBS



Cappuccino



Black



Chocolate



Mocha



Red



Taupe



HOT TOWEL WARMER

THE HOT TOWEL WARMER IS EXCELLENT FOR WARMING TOWELS FOR SOOTHING AND HYGIENIC TREATMENT. IT WARMS THESE TOWELS AND KEEPS THEM CONSISTENTLY WARM ENSURING A READY SUPPLY OF WARM TOWELS ARE ALWAYS AVAILABLE.



DIMENSION: 16.5" W X 16" D X 17.5" H
VOLTS: 120V **HERTZ:** 60HZ
CARTON SIZE: 20" W X 18" D X 20" H
GROSS WEIGHT: 27 LBS

\$174

DIMENSION: 18" W X 11.5" D X 14.5" H
VOLTS: 120V **HERTZ:** 60HZ
CARTON SIZE: 20" W X 14" D X 16" H
GROSS WEIGHT: 18 LBS

\$120

DIMENSION: 14" W X 11" D X 10" H
VOLTS: 120V **HERTZ:** 60HZ
CARTON SIZE: 16" W X 14" D X 13" H
GROSS WEIGHT: 12 LBS

\$97

HEAT & NAIL DRYER



DIMENSION: 12" W X 8" H X 10" L **\$137**



TABLE LED LIGHT



SKU: TO -T1088 - LED **\$55**

SINGLE NAIL TABLE

DIMENSIONS: 40"W X 30 1/2"H X 16"L



DOUBLE NAIL TABLE

DIMENSIONS: 71"W X 30 1/2"H X 16"



Colors:

White Granite Top

Dark Brown Wood

White Wood



Optional Ventilation

Optional Ventilation is available for both single & double table. Consult with your local and state board regulations for compatibility.



THE SLEEK, MODERN DESIGN OF THE FINGER NAIL TABLE MAKES FOR THE PERFECT WORKSTATION FOR ANY SPA OR SALON. WITH A RICH DARK BROWN FINISH AND A WHITE MINIMALIST GRANITE TOP, IT'S A TIMELESS LOOK THAT WILL GIVE YOUR SALON A SOPHISTICATED LOOK AND FEEL.



NAIL DRYER STATION

DIMENSIONS: 55 1/2"W X 36 1/2"H X 16 1/8"L



Colors: White Granite Top & Dark Brown Wood White Wood

RECEPTION

DIMENSIONS: 52 3/4"W X 44 1/4"H X 18 1/2"L



Colors: White Granite Top & Dark Brown Wood White Wood

PEDI CART

DIMENSIONS: 14 1/4"W X 17"H X 14 1/4"L



Dark Brown Wood



White Wood

NAIL RACK

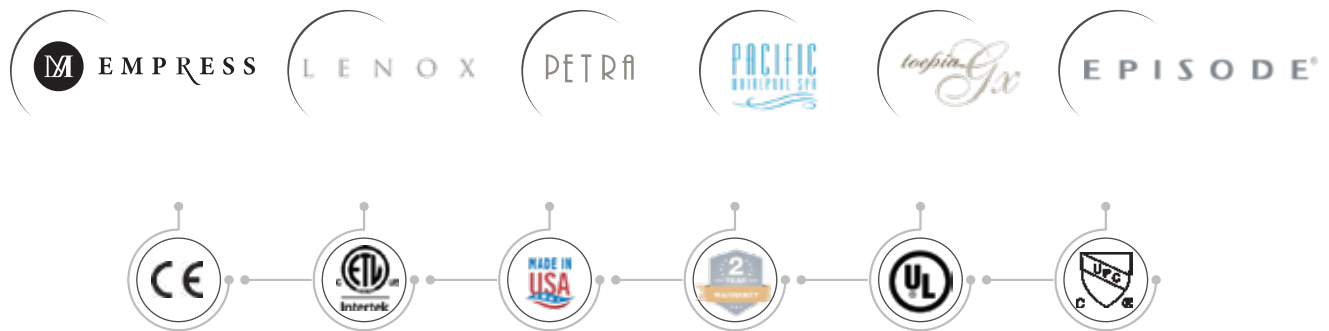
DIMENSIONS: 33 1/2"W X 35"H X 2 5/8"L





About J&A USA Inc., Pedicure Chairs & Salon Furniture Collections

Here at J&A USA Inc. Pedicure Chairs, we have always paid special -some might say obsessive- attention to pedicure chairs, seeing them not merely as furniture, but also as a symbol or reflection of the salon they are in. That is a central premise of J&A and that is why we make it our mission to manufacture quality pedicure chairs.



www.jausainc.com