



L E N O X

Enduring Elegance





LX

Fitted technician remote conveniently adjusts chair functions and positions at the push of a button.



Built in, removable full Shiatsu Massage Remote.



10 inch adjustable footrest provides comfort for both clients and salon professionals.

Delightfully Dark

Fitted with a built-in remote, the Lenox LX marks a new generation of luxury pedicure service chairs that combine functionality and comfort.



Leather: Black Base: Prestige Gray
Bowl: Black Nickel

LENOX



LX



Lenox LX Shown in White
(Optional)



Built in, removable full Shiatsu Massage Remote.



The Magnetic whirlpool jet is fast & easy to use, making sanitizing & maintenance effortless

Perfectly Pure

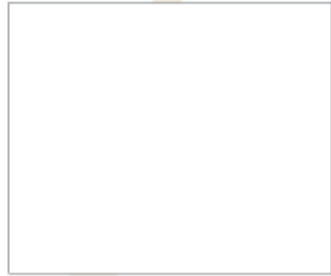
The Lenox LX is designed to deliver an immerse, full-body shiatsu massage featuring an ornate glass bowl equipped with a pipeless jet whirlpool system ensuring a truly invigorating and lasting impression.



LENOX

Leather: White Base: White
Bowl: Crystal Reflections

L E A T H E R T R I M S

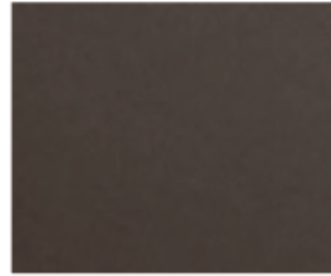


WHITE (OPTIONAL)

* For a sample, see page 4 - 5.



TAUPE



CHOCOLATE



BLACK

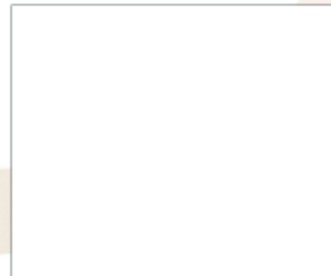


GRAY

B O D Y T R I M S

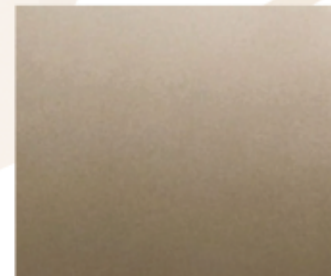


Enduring Elegance

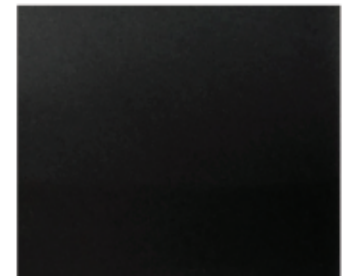


WHITE (OPTIONAL)

* For a sample, see page 4 - 5.

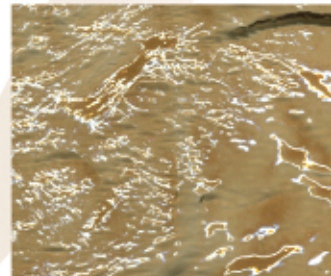


SAHARA GOLD

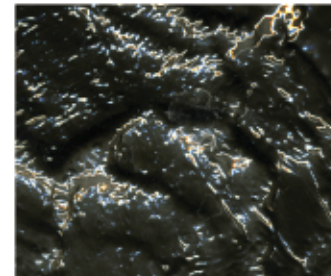


PRESTIGE GRAY

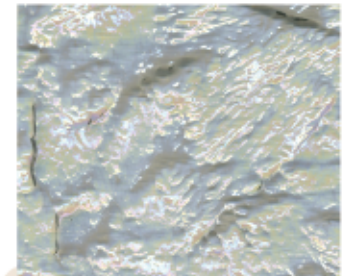
B O W L T R I M S



CHAMPAGNE GOLD

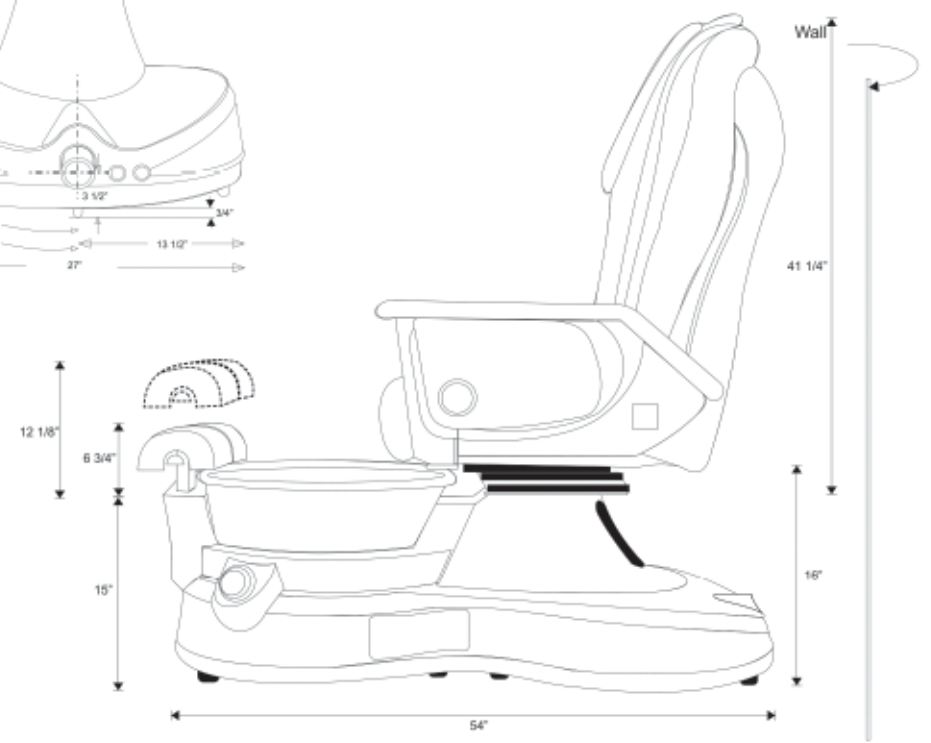
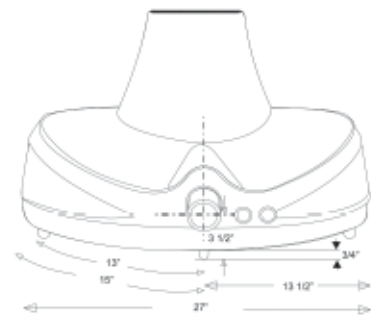
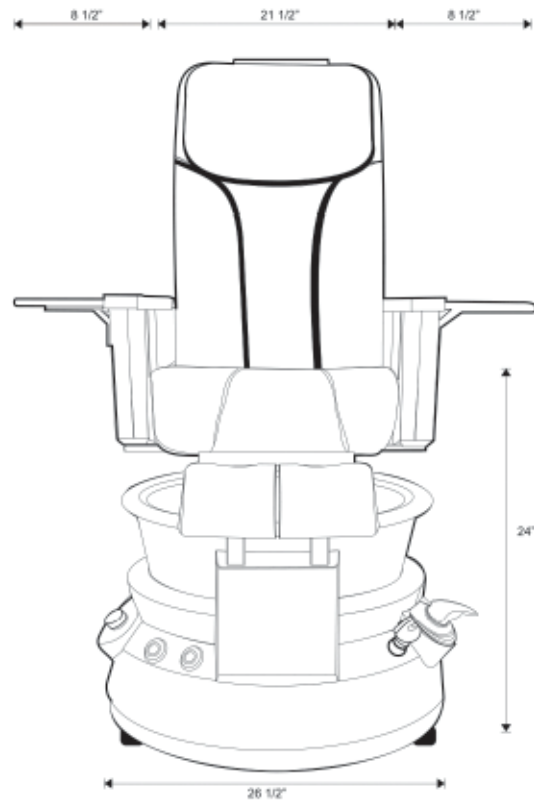


BLACK NICKEL



CRYSTAL REFLECTIONS

LENOX LX PEDICURE SPA SPECIFICATIONS



Dimension & Weight (Shipping)

Lenox Pedicure Spa
Stool

37"W x 67"L x 40"H
27.25"W x 20.25"L x 17"H

285 lbs
20lbs

Capacity of Tub

5 US Gallon

Switch

On/Off Air Activated Switch

Power Source

Dedicated 15Amp GFCI Protected Ground Outlet
Magna-Jet Pipeless
Massage System

115Vac. 3.2 Amp, 60Hz.
120Vac. 3.12 Amp, 60Hz. 75W

Plumbing

Hot Water
Cold Water
Drain

0.5inches (Fitting Provided)
0.5inches (Fitting Provided)
1.5inches (See Plumbing Instruction)

Warranty

See detail in warranty page.

Ⓞ
Check the QR Codes
for details about the Lenox LX.

Scan for Manual





↓
Check the QR Codes
for details about the Lenox LX.



J&A USA, Inc., founded in 1996 in the state of New York, is committed to the design and manufacture of quality pedicure spas. J&A USA, Inc. believes the specifications in this booklet to be correct at the time of publication. Specifications, standard equipment, options and colors are subject to change without notice. Please consult your dealer for advice concerning current availability of standard and optional equipment. J&A USA Inc. requires that installations of new pedicure spas be performed with the assistance of a licensed plumber and licensed electrician. Installation must comply with all state and local building codes. Pedicure spas cannot operate efficiently or safely unless provided with adequate electrical power, adequate water pressure, proper water temperature, and required drainage.

Warranty coverage includes repairs and adjustments needed to correct any defects in materials or workmanship, or any part supplied by J&A USA Inc. from the date of purchase. Massage/Vibration pedicure chairs are covered under warranty for 24 months, excluding noise, vibration, cosmetic conditions, and other deterioration caused by normal use. Fiberglass pedicure tubs are covered under warranty for 24 months, excluding damage resulting from striking or leaping onto the base, damage due to direct sunlight or exposure to light bulbs, or normal wear to metallic plated hardware, stickers, and paint. Pedicure glass bowls are covered under warranty for 24 months, excluding damage from impact upon striking or leaping onto the bowl, or surface degradation caused by contaminants in water, such as calcium and mineral deposits.

This warranty covers repairs and adjustments needed to correct defects in materials or workmanship of any part supplied by J&A USA Inc., except in the case of fire, accident, or theft. Damage from misuse, such as striking or leaping onto the unit, damage from improper repairs, alterations, tampering, or failure to perform proper maintenance will not be covered. If J&A USA Inc. receives notice of defective products during the applicable warranty period, J&A USA Inc. shall either repair or replace the defective parts at J&A USA Inc. discretion. The replacement product may either be new or be the equivalent in performance to new. J&A USA Inc. will provide free shipping for replacement parts to any qualifying address in the contiguous U.S. Products are manufactured by J&A USA, Inc., 335 Crooked Hill Rd., Brentwood, NY 11717.

FOR MORE INFORMATION, CONTACT LENOX PEDICURE SPA. | TEL: 631.243.3336 | SERVICE & PARTS ORDER: 631.243.5300 | WWW.LENOXPEDICURECHAIR.COM