



EMPRESS

THE SPA THAT EMPOWERS



WWW.EMPRESSPEDICHAIR.COM



For more information, Contact J&A USA Inc. Tel: 631. 243. 3336

EMPRESS LX

MSRP **\$2,295**

* All prices are subject to change without prior notice due to tariffs or unforeseen economic circumstances.



 EMPRESS LX

Taupe Beige Leather, White Base & Orange Trim with Gold Resin Bowl



LED Base Lighting



Remote Control



Adjustable Footrest

 EMPRESS RX



Chic, high-energy salons appreciate the full-featured Empress Pedicure Chair for its stylish lines, durable construction, performance, and value. Delivering a top-of-industry spa experience, the Empress further impresses with its beautiful resin bowl, clean and powerful pipeless infiniti™ jets, full shiatsu massage, and easy footrest adjustment, wrapped in LED base lighting.





White Base
Orange Trim & Gold Resin Bowl



White Base
Silver Trim & Black Nickel Resin Bowl



Bone Base
Brown Trim & Gold Resin Bowl



White Base
Silver Trim & Black Nickel Resin Bowl

Empress LX & RX - Leather Colors



Taupe Beige



Chocolate



Black



Jade Green



Rosewood Red

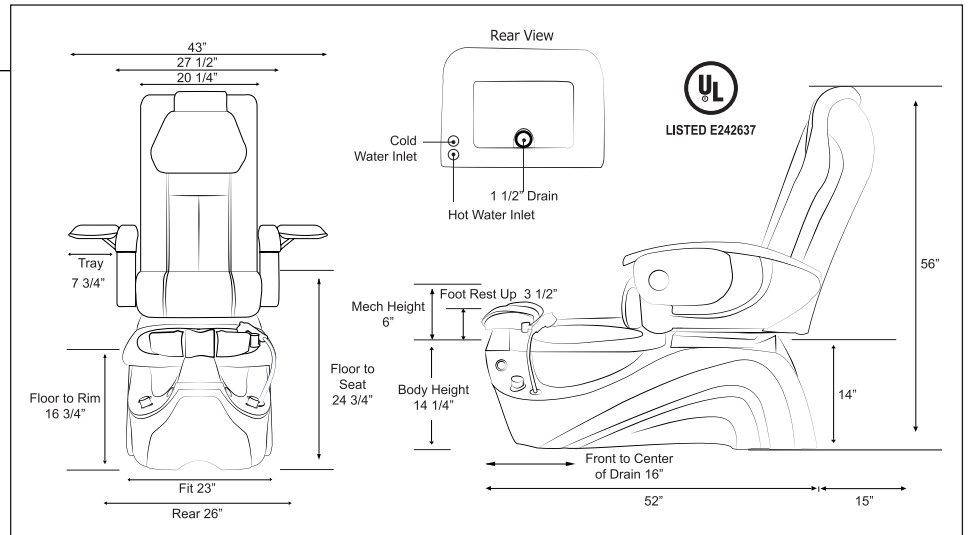


Pearl Purple

*Actual colors may differ due to limitations and variations inherent in the printing process.

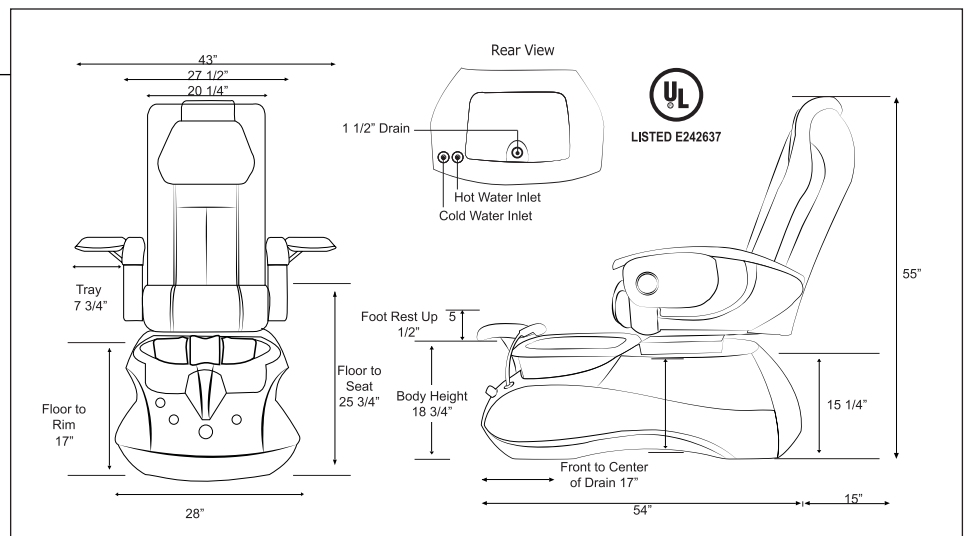
M EMPRESS LX

Capacity of Tub : 4.5 / 5 US Gallons
Plumbing : Hot & Cold Water - 0.5 inches
Drain: 1.5 inches



M EMPRESS RX

Capacity of Tub : 4.5 / 5 US Gallons
Plumbing : Hot & Cold Water - 0.5 inches
Drain: 1.5 inches



MSRP \$2,295

* All prices are subject to change without prior notice due to tariffs or unforeseen economic circumstances.

M EMPRESS SE



Ventilation(Optional)



*Durable Resin Bowl.
Use with Liners.*



Adjustable Footrest

M EMPRESS LE



M EMPRESS SE

Chocolate Leather, Bone Base & Brown Trim with Gold Resin Bowl

Velvety and polished, salons will need this Empress chair with its dark chocolate hues and its top caliber performance. To complement its glossy look, the Empress provides a durable resin bowl, easily accessible controls, all while being fitted with armrests and footrests that maximize comfort.





Bone Base
Brown Trim & Gold Resin Bowl



White Base
Silver Trim & Black Nickel Resin Bowl



White Base
Orange Trim & Gold Resin Bowl



White Base
Silver Trim & Black Nickel Resin Bowl

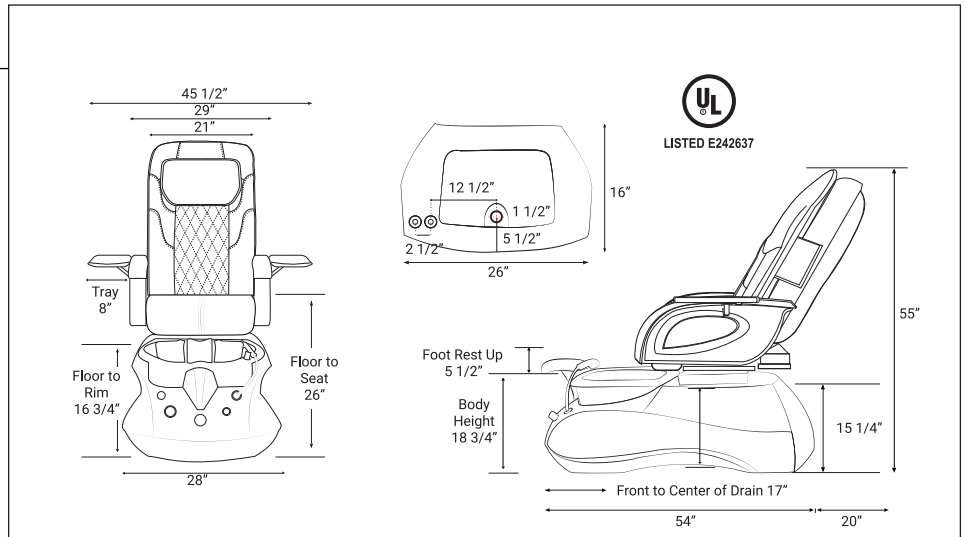
Empress SE & LE - Leather Colors



*Actual colors may differ due to limitations and variations inherent in the printing process.

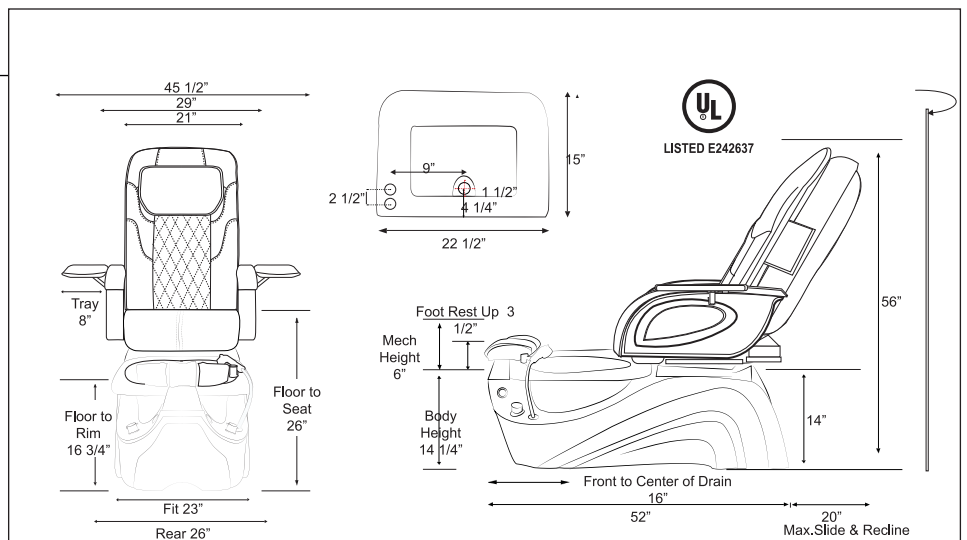
M EMPRESS SE

Capacity of Tub : 4.5 / 5 US Gallons
Plumbing : Hot & Cold Water - 0.5 inches
Drain: 1.5 inches



M EMPRESS LE

Capacity of Tub : 4.5 / 5 US Gallons
Plumbing : Hot & Cold Water - 0.5 inches
Drain: 1.5 inches



SINGLE NAIL TABLE

DIMENSIONS: 40"W X 30 1/2"H X 16"L



Colors: White Granite Top & Dark Brown Wood or White Wood

PEDI CART

DIMENSIONS : 14 1/4"W X 17"H X 14 1/4"L



Dark Brown Wood



White Wood

SKU: KM-CART-XXX **\$95**

DOUBLE NAIL TABLE

DIMENSIONS: 71"W X 30 1/2"H X 16"



Colors: White Granite Top & Dark Brown Wood or White Wood

NAIL RACK



DIMENSIONS :
33 1/2"W X 35"H X 2 5/8"L

SKU: KM-RACK-FD204 **\$115**

NAIL DRYER STATION

DIMENSIONS: 55 1/2"W X 36 1/2"H X 16 1/8"L



Colors: White Granite Top & Dark Brown Wood or White Wood

RECEPTION

DIMENSIONS: 52 3/4"W X 44 1/4"H X 18 1/2"L



Colors: White Granite Top & Dark Brown Wood or White Wood

Autoclave Sterilizer

Premium Xpress Autoclave



\$2,395

Fully-Automatic w/Dry Finish

Model: JA-232X-DRY

DIMENSION: 19" W X 18" D X 16" H
NET WEIGHT: 75 LBS

Xpress Autoclave



\$2,070

Semi-Automatic

Model: JA-232X

DIMENSION: 19" W X 18" D X 16" H
NET WEIGHT: 75 LBS

MONACO CUSTOMER CHAIR

- OVERALL DIMENSION: 29" X 16" X 25"
- WEIGHT: 43LBS
- SHIPPING DIMENSIONS
- 23" X 20" X 14" SHIPPING
- WEIGHT: 22LBS

\$214



M STOOL TECHNICIAN STOOL

- OVERALL DIMENSION: 19"W X 23"D
- WEIGHT: 18 LBS
- HEIGHT ADJUSTMENT:
- LOW PISTON (PEDICURE): 13" TO 16"
- HIGH PISTON (MANICURE): 16" TO 22"
- SHIPPING DIMENSIONS 1 IN 1 BOX :
- 23" X 20" X 14" SHIPPING
- WEIGHT: 22LBS
- SHIPPING DIMENSIONS 2 IN 1 BOX:
- 23" X 20" X 17" SHIPPING
- WEIGHT: 39LBS

\$145



EURO STOOL TECHNICIAN STOOL

- OVERALL DIMENSION: 19"W X 23"D
- WEIGHT: 17 LBS
- HEIGHT ADJUSTMENT:
- LOW PISTON (PEDICURE): 13" TO 16"
- HIGH PISTON (MANICURE): 16" TO 22"
- SHIPPING DIMENSIONS: 23" X 19" X 15"
- SHIPPING WEIGHT 1 IN 1 BOX: 19LBS
- SHIPPING WEIGHT 2 IN 1 BOX: 36LBS

\$107



COOKIE STOOL TECHNICIAN STOOL

- OVERALL DIMENSION: 17 1/2"W X 18"D
- WEIGHT: 20 LBS
- HEIGHT ADJUSTMENT:
- LOW PISTON (PEDICURE): 13" TO 16"
- HIGH PISTON (MANICURE): 16" TO 22"
- SHIPPING DIMENSION: 23" X 21" X 20"
- SHIPPING WEIGHT 1 IN 1 BOX: 20 LBS
- SHIPPING WEIGHT 2 IN 1 BOX: 35 LBS

\$94





EMPRESS

THE SPA THAT EMPOWERS



EMPRESS is in the state of New York with commitment to manufacture quality pedicure spas. EMPRESS believes the specifications in this booklet to be correct at the time of publication. However, specifications, standard equipment, options and colors are subject to change without notice. Please ask your dealer for advice concerning current availability of standard and optional equipment. EMPRESS requires that you contact a local, licensed plumber and licensed electrician to install your new pedicure spa. Installation must be in compliance with all your local and state building code. Your pedicure spa cannot operate efficiently or safely unless it is provided with adequate electrical power, sufficient water pressure, proper water temperature and required drainage capabilities.

Duration of limited warranty- This warranty covers repairs and adjustments needed to correct defects in materials or workmanship of any part supplied by EMPRESS from the date of purchase. Massage/Vibration Pedicure Chair- 24 months (Exclusions: Noise, vibration, cosmetic conditions and other deterioration caused by normal wear and tear.) Fiberglass Pedicure Tub- 24 Months (Exclusion: impact such as striking or leaping on the base, light bulbs or fading from direct sunlight, normal wear and tear parts such as metallic plated hardware, stickers, paint.) Pedicure Glass Bowl- 24 months (Exclusions: impact such as striking or leaping on the bowl, surface degradation due to water contaminations such as calcium & mineral deposits, etc.) This warranty covers repairs and adjustments needed to correct defects in materials or workmanship of any part supplied by EMPRESS except in the following situations: fire, accidents or theft. Abuse or negligence. Misuse- for example, striking or leaping on the unit. Improper repairs. Alteration or tampering. Lack of or improper maintenance. If EMPRESS received notice of defective product during the applicable warranty period, EMPRESS shall either repair or replace the defective parts at EMPRESS discretion. Replacement product may be either new or equivalent in performance to new. J&A USA Inc., will provide replacement parts with free shipping to contiguous U.S. that qualifies. Manufactured by EMPRESS 335 Crooked Hill Rd. Brentwood, NY 11717

WWW.EMPRESSPEDICHAIR.COM | 1.631.243.3336
For After sales support: WWW.PEDISPAFIX.COM | 1.631.243.5300