

CLÉO™ SE

*Redesigned Elegance*



*2020 Edition*



For more information, Contact J&A USA Inc. [www.jausainc.com](http://www.jausainc.com)  
335 Crooked Hill Rd., Brentwood, NY 11717 Tel: 631.243.3336

## About J&A USA Inc., Pedicure Chairs & Salon Furniture Collections

Here at J&A USA Inc. Pedicure Chairs, we have always paid special - some might say obsessive - attention to pedicure chairs, seeing them not merely as furniture, but also as a symbol or reflection of the salon they are in. That is a central premise of J&A, Pedicure Chairs and that is why we make it our mission to manufacture quality pedicure chairs.

 **M** EMPRESSEPISODE<sup>®</sup>

PETRA

PACIFIC  
WATERPOOL SPALoebia  
Gx LENOX

# CLÉO™ SE

*Redesigned Elegance*

Beautifully designed with high-quality diamond stitched leather upholstery and a glossy finished UV metallic paint with coordinating durable resin bowls, the all new Cleo SE combines elegance with comfort. The full body shiatsu massage, powerful pipeless hydrojets and soothing lighting immerses your clients in a full-body spa experience.



# CLÉO™ SE

*Redesigned Elegance*



LEATHER : GRAY  
BOWL: CRYSTAL BASE: WHITE



BLACK



BRICK



CAPPUCCINO



Optional  
USB  
\$25



Optional  
Ventilation  
\$125



Auto  
Fill  
\$250



Drain  
Pump  
\$250



WHITE



BURGUNDY



MOCHA

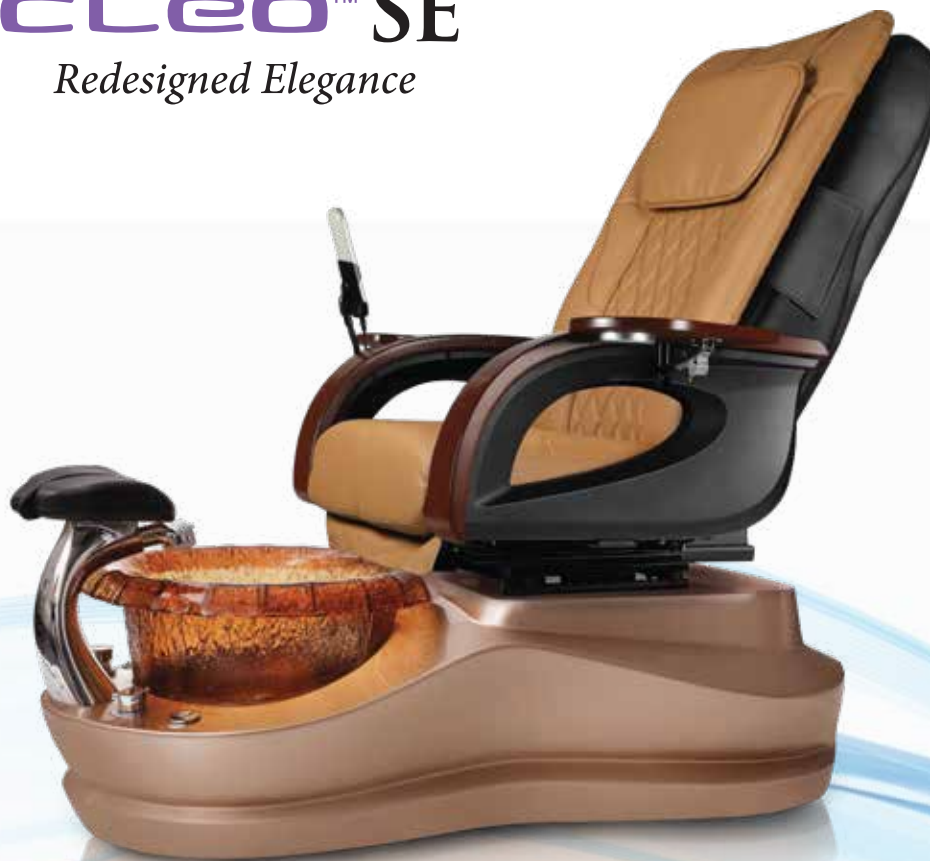


CHOCOLATE



# CLÉO™ SE

*Redesigned Elegance*



LEATHER : MOCHA  
BOWL: GOLD BASE: ROSE GOLD



BLACK



BRICK



CAPPUCCINO



WHITE



BURGUNDY



GRAY



CHOCOLATE



Optional USB \$25



Optional Ventilation \$125



Auto Fill \$250



Drain Pump \$250

# CLÉO™ SE

*Redesigned Elegance*



LEATHER : CHOCOLATE  
BOWL: GOLD BASE: CHOCOLATE



BLACK



BRICK



CAPPUCCINO



Optional  
USB  
\$25



Optional  
Ventilation  
\$125



Auto  
Fill  
\$250



Drain  
Pump  
\$250



WHITE



BURGUNDY



MOCHA



GRAY

## CLEO SE FEATURES

- 3 Level Height Adjustable Footrest.
- Center Mounted Dual Spray Shower Head for Ease of Use.
- Dual LED Light Provides Soothing Ambiance.
- Right Side Purse Holder.
- USB Charger (Cord Not Included).



**ADJUSTABLE FOOTREST**



**SHOWERHEAD**



**REMOTE with HOLDER**



**MAGNA JET & DUAL LED**



**PURSE HOLDER**



**USB**



**VENTILATION (OPTIONAL)**

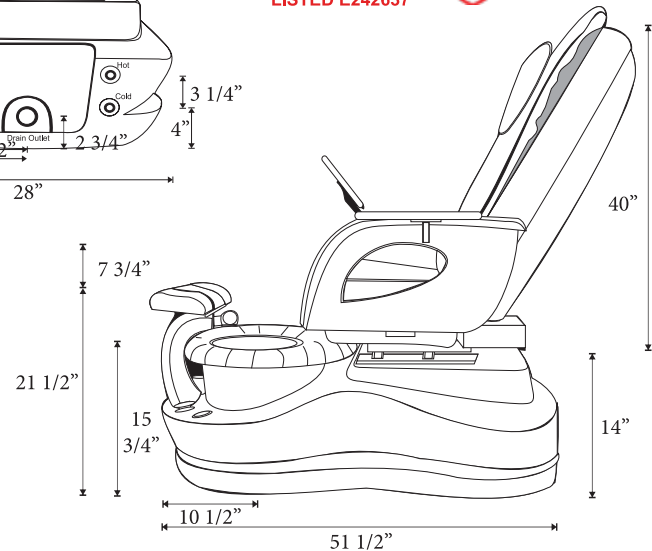
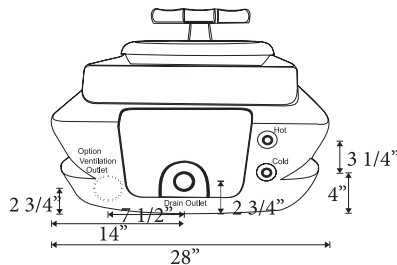
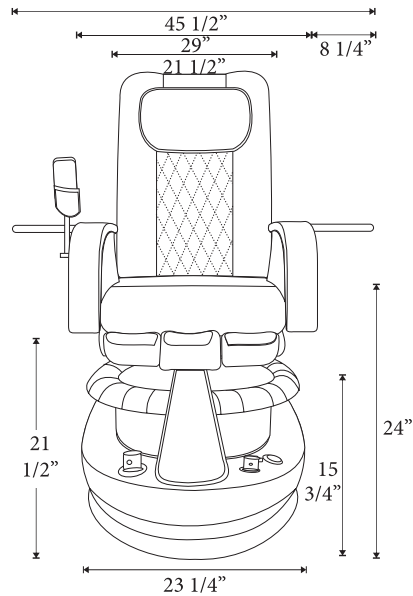
## LEATHER COLORS



## BASE & BOWL COLORS



## SPECIFICATION





## STOOLS & CHAIRS

### MONACO CUSTOMER CHAIR

- OVERALL DIMENSION: 29" X 16" X 25"
- WEIGHT: 43LBS
- SHIPPING DIMENSIONS  
- 23" X 20" X 14" SHIPPING  
- WEIGHT: 22LBS



Mocha



Black



Cappuccino



Chocolate

### M STOOL TECHNICIAN STOOL

- OVERALL DIMENSION: 19"W X 23"D
- WEIGHT: 18 LBS
- HEIGHT ADJUSTMENT:  
- LOW PISTON (PEDICURE): 13" TO 16"  
- HIGH PISTON (MANICURE): 16" TO 22"
- SHIPPING DIMENSIONS 1 IN 1 BOX :  
- 23" X 20" X 14" SHIPPING  
- WEIGHT: 22LBS
- SHIPPING DIMENSIONS 2 IN 1 BOX:  
- 23" X 20" X 17" SHIPPING  
- WEIGHT: 39LBS



Burgundy



Black



Chocolate



Taupe

### EURO STOOL CUSTOMER CHAIR

- OVERALL DIMENSION: 19"W X 23"D
- WEIGHT: 17 LBS
- HEIGHT ADJUSTMENT:  
- LOW PISTON (PEDICURE): 13" TO 16"  
- HIGH PISTON (MANICURE): 16" TO 22"
- SHIPPING DIMENSIONS: 23" X 19" X 15"
- SHIPPING WEIGHT 1 IN 1 BOX: 19LBS
- SHIPPING WEIGHT 2 IN 1 BOX: 36LBS



Gray



Black



Chocolate



Cappuccino



Mocha



Orange



Red



Red Orange

### COOKIE STOOL CUSTOMER CHAIR

- OVERALL DIMENSION: 17 1/2"W X 18"D
- WEIGHT: 20 LBS
- HEIGHT ADJUSTMENT  
- LOW PISTON (PEDICURE): 13" TO 16"  
- HIGH PISTON (MANICURE): 16" TO 22"
- SHIPPING DIMENSION: 23" X 21" X 20"
- SHIPPING WEIGHT 1 IN 1 BOX: 20 LBS
- SHIPPING WEIGHT 2 IN 1 BOX: 35 LBS



Cappuccino



Black



Chocolate



Mocha



Red



Taupe

## White Granite Top Collection

The sleek, modern design of the single nail table makes it the perfect workstation for the busy spa or salon. With a rich walnut finish and a white minimalist granite top, it's a timeless look that will give your salon a sophisticated look and feel.

### SINGLE NAIL TABLE

Dimensions: 40"W x 30 1/2"H x 16"L



### DOUBLE NAIL TABLE

Dimensions: 71"W x 30 1/2"H x 16"L



**Optional ventilation** is available for both single & double table. Consult with your local and state board regulations for compatibility.



**NAIL DRYER STATION**

Dimensions: 55 1/2"W x 36 1/2"H x 16 1/8"L



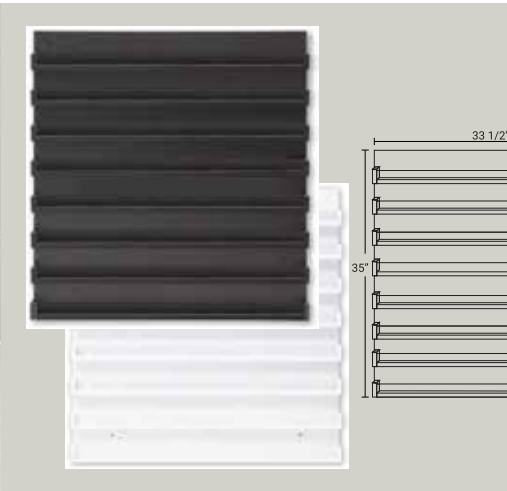
**RECEPTION**

Dimensions: 52 3/4"W x 44 1/4"H x 18 1/2"L



**PEDI CART**

Dimensions: 14 1/4"W x 17"H x 14 1/4"L



**NAIL RACK**

Dimensions: 33 1/2"W x 35"H x 2 5/8"L

White Granite Top

Dark Brown Wood



**J&A USA INC.**  
**335 CROOKED HILL RD.**  
**BRENTWOOD, NY 11717**  
**631.243.3336**

Scan to Call Us



Scan for Website

